



Hydraulic



HYDRAULIC SPARE PARTS

CATALOGUE 2025

The
Power 
in your hands

DZD
Hydraulic



PZD Hydraulic
It is a trademark of
KYZ AUTOMOTIVE COMPANY

Mission Statement

To provide innovative and efficient solutions in hydraulic cylinder manufacturing, ensuring the highest levels of performance and quality.

Vision Statement

To become a global leader in hydraulic cylinder manufacturing by delivering high-quality products and exceptional services.

Core Values

Quality: We are committed to delivering products with high precision and performance.

Innovation: We continually strive to enhance our technology and improve our products to keep pace with advancements.

Sustainability: We work to minimize our environmental impact and promote sustainable industrial practices.

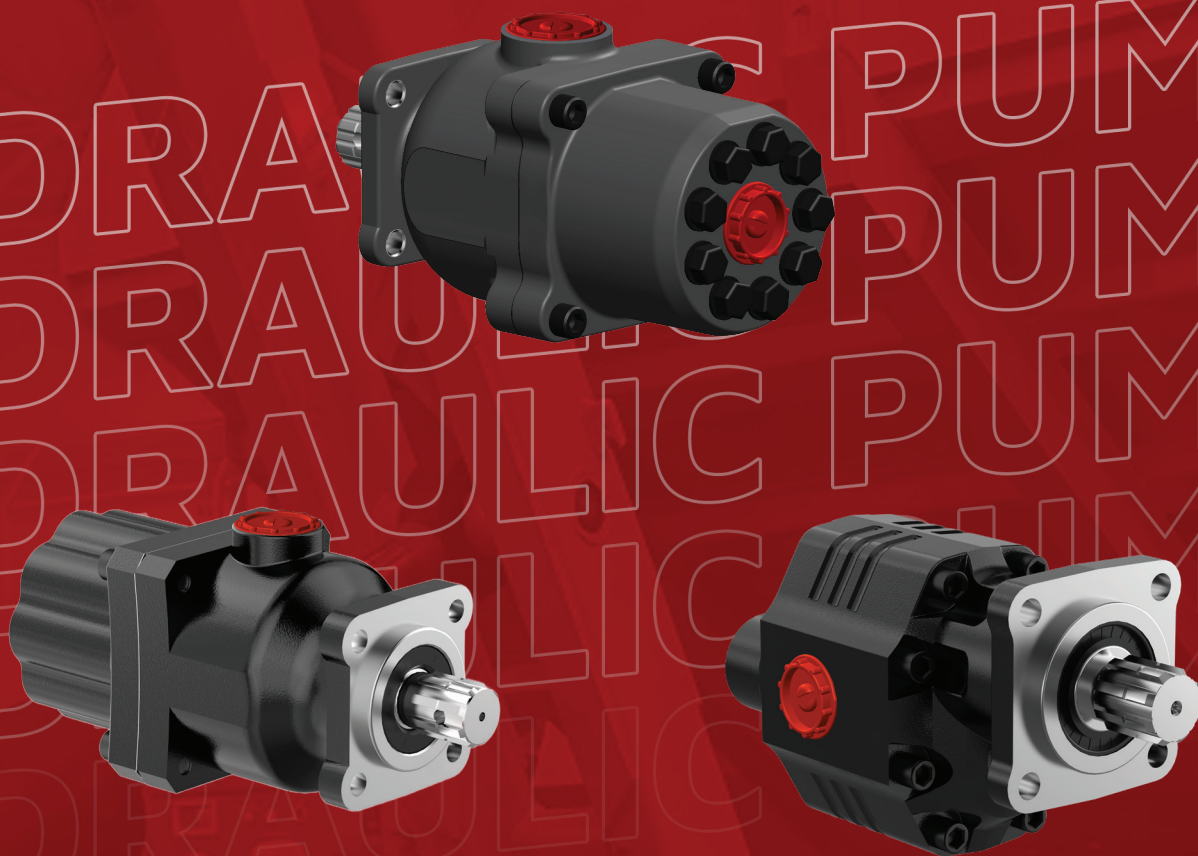
Products and Services:

- Manufacturing and developing hydraulic cylinders to international standards.
- Providing customized services tailored to clients' technical needs.
- 24/7 maintenance and technical support services.

Feel free to adjust the details according to the actual company information. Let me know if you need further edits or additions!

HYDRAULIC PUMPS

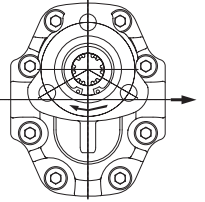
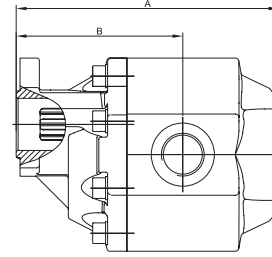
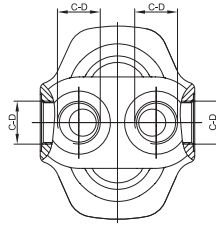
Section



Hydraulic

BI- ROTATIONAL UNI GEAR PUMP

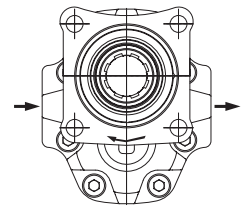
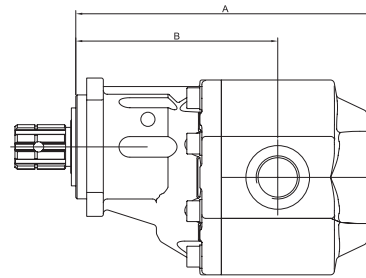
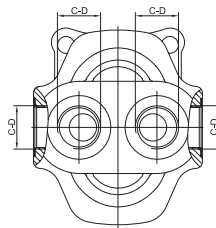
DP DD UNI



PRODUCT TYPE	PRODUCT CODE	A (mm)	B (mm)	OIL INLET	OIL OUTLET	DISPLACEMENT	WORKING PRESSURE	MAX. INTEMITTENT PRESSURE	MAX. CONTINUOUS SPEED	MAX. SPEED AT INTERMIT PRESSURE	WEIGHT
DP 30/43 DD UNI	21143004383	176	111,4	R 1"	R 1"	43 cm ³ /rev	200 bar	260 bar	1500 rpm.	2500 rpm.	12 kg
DP 30/61 DD UNI	21143006183	186	124,4	R 1"	R 1"	58 cm ³ /rev	190 bar	250 bar	1500 rpm.	2000 rpm.	13 kg
DP 30/82 DD UNI	21143008283	204	129,4	R 1"	R 1"	85 cm ³ /rev	190 bar	250 bar	1400 rpm.	1800 rpm.	14 kg
DP 30/92 DD UNI	21143009283	210	129,4	R 1"	R 1"	93 cm ³ /rev	190 bar	250 bar	1400 rpm.	1800 rpm.	15 kg
DP 40/92 DD UNI	21144009283	210,5	133	R 1"	R 1"	92 cm ³ /rev	200 bar	250 bar	1400 rpm.	2500 rpm.	18 kg
DP 40/109 DD UNI	21144010983	217,5	136	R 1"	R 1"	108 cm ³ /rev	200 bar	250 bar	1400 rpm.	2500 rpm.	20 kg

BI-ROTATIONAL GEAR PUMP

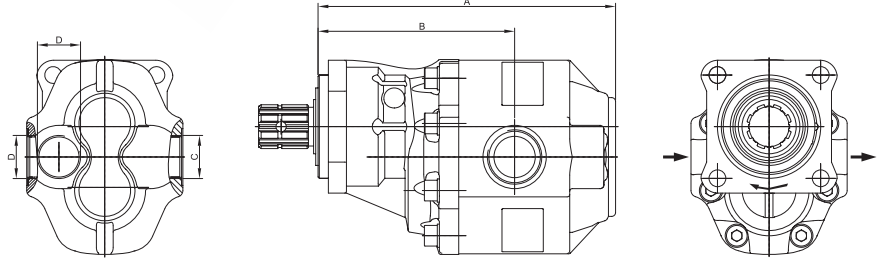
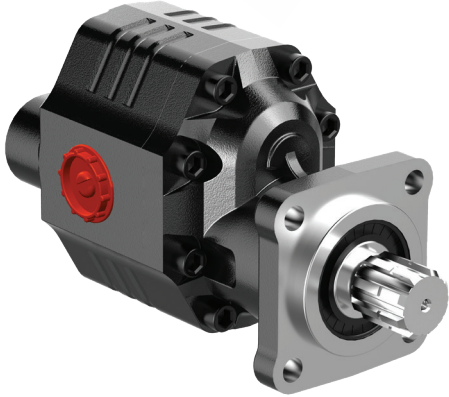
DP DD



PRODUCT TYPE	PRODUCT CODE	A (mm)	B (mm)	OIL INLET	OIL OUTLET	DISPLACEMENT	WORKING PRESSURE	MAX. INTEMITTENT PRESSURE	MAX. CONTINUOUS SPEED	MAX. SPEED AT INTERMIT PRESSURE	WEIGHT
DP 30/43 DD	21143004373	199	142	R 1"	R 1"	43 cm ³ /rev	200 bar	260 bar	1500 rpm.	2500 rpm.	12 kg
DP 30/61 DD	21143006173	209	147	R 1"	R 1"	58 cm ³ /rev	190 bar	250 bar	1500 rpm.	2000 rpm.	13 kg
DP 30/82 DD	21143008273	230	155,5	R 1"	R 1"	85 cm ³ /rev	190 bar	250 bar	1400 rpm.	1800 rpm.	14 kg
DP 30/92 DD	21143009273	236	155,5	R 1"	R 1"	93 cm ³ /rev	190 bar	250 bar	1400 rpm.	1800 rpm.	15 kg
DP 40/92 DD	21144009273	230	155,5	R 1"	R 1"	92 cm ³ /rev	200 bar	250 bar	1400 rpm.	2500 rpm.	18 kg
DP 40/109 DD	21144010973	237	158,5	R 1"	R 1"	108 cm ³ /rev	200 bar	250 bar	1400 rpm.	2500 rpm.	20 kg

ISO GEAR PUMP

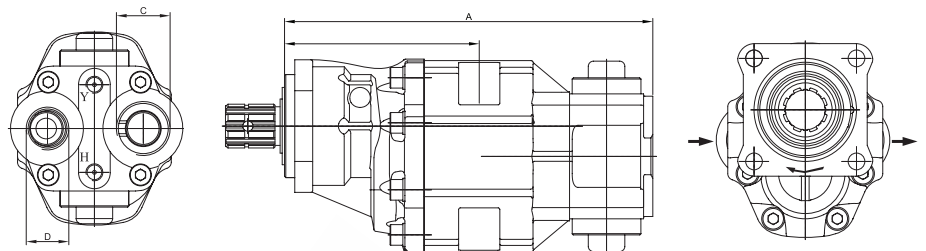
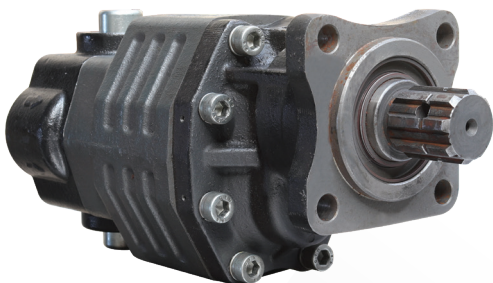
DP ISO



PRODUCT TYPE	PRODUCT CODE RIGHT	PRODUCT CODE LEFT	A (mm)	B (mm)	OIL INLET	OIL OUTLET	DISPLACEMENT	WORKING PRESSURE	MAX. INTERMITTENT PRESSURE	MAX. CONTINUOUS SPEED	MAX. SPEED AT INTERMIT PRESSURE	WEIGHT
DP 30/17 ISO	21113001771	21113001772	187,5	129	R 1/2"	R 1/2"	17 cm ³ /rev	290 bar	315 bar	1500 rpm.	2500 rpm.	12 kg
DP 30/22 ISO	21113002271	21113002272	190,5	129	R 1/2"	R 1/2"	22 cm ³ /rev	290 bar	315 bar	1500 rpm.	2500 rpm.	12 kg
DP 30/27 ISO	21113002771	21113002772	193,5	132	R 3/4"	R 1/2"	27 cm ³ /rev	290 bar	315 bar	1500 rpm.	2500 rpm.	12,5 kg
DP 30/34 ISO	21113003471	21113003472	198,5	132	R 3/4"	R 3/4"	34 cm ³ /rev	280 bar	300 bar	1500 rpm.	2500 rpm.	13 kg
DP 30/43 ISO	21113004371	21113004372	202,5	136	R 1"	R 3/4"	43 cm ³ /rev	200 bar	260 bar	1500 rpm.	2500 rpm.	13 kg
DP 30/61 ISO	21113006171	21113006172	212,5	142	R 1 1/4"	R 1"	58 cm ³ /rev	200 bar	250 bar	1500 rpm.	2000 rpm.	14 kg
DP 30/82 ISO	21113008271	21113008272	230,5	152	R 1 1/4"	R 1"	85 cm ³ /rev	190 bar	250 bar	1400 rpm.	1800 rpm.	15 kg
DP 30/92 ISO	21113009271	21113009272	236,5	158,5	R 1 1/4"	R 1"	93 cm ³ /rev	190 bar	250 bar	1400 rpm.	1800 rpm.	16 kg
DP 37/107 ISO	21113710771	21113710772	248,5	162,3	R 1 1/4"	R 1"	111 cm ³ /rev	190 bar	250 bar	1400 rpm.	1800 rpm.	18 kg
DP 40/87 ISO	21114008771	21114008772	227	152	R 1 1/4"	R 1"	87 cm ³ /rev	200 bar	250 bar	1400 rpm.	2500 rpm.	17,5 kg
DP 40/109 ISO	21114010971	21114010972	235	158,5	R 1 1/4"	R 1"	108 cm ³ /rev	200 bar	250 bar	1400 rpm.	2500 rpm.	21 kg
DP 40/133 ISO	21114013371	21114013372	242	163	R 1 1/4"	R 1"	127 cm ³ /rev	190 bar	240 bar	1300 rpm.	2400 rpm.	22 kg

(ISO) GEAR PUMP WITH PNEUMATIC VALVE

DP KV ISO

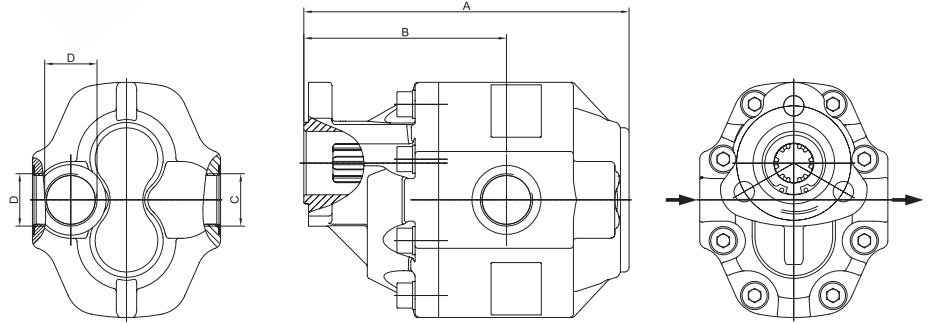


PRODUCT TYPE	PRODUCT CODE RIGHT	PRODUCT CODE LEFT	A (mm)	OIL INLET	OIL OUTLET	DISPLACEMENT	WORKING PRESSURE	MAX. INTERMITTENT PRESSURE	MAX. CONTINUOUS SPEED	MAX. SPEED AT INTERMIT PRESSURE	WEIGHT
DP 30/82 KV ISO	21123008271	21123008272	287,5	R 1 1/4"	R 1"	85 cm ³ /rev	190 bar	250 bar	1400 rpm.	1800 rpm.	18 kg



UNI GEAR PUMP

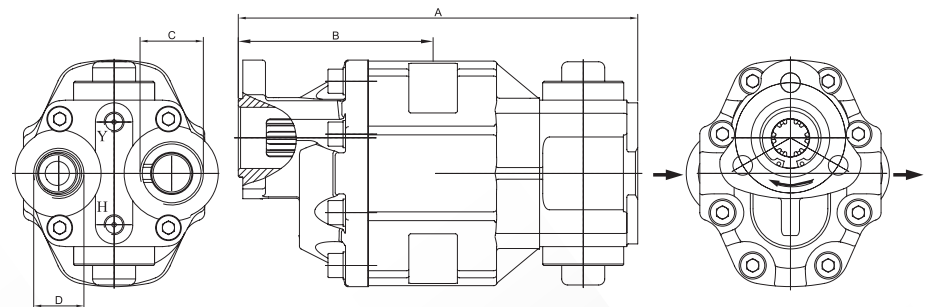
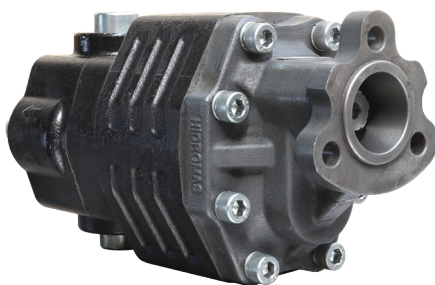
DP UNI



PRODUCT TYPE	PRODUCT CODE RIGHT	PRODUCT CODE LEFT	A (mm)	B (mm)	OIL INLET	OIL OUTLET	DISPLACEMENT	WORKING PRESSURE	MAX. INTERMITTENT PRESSURE	MAX. CONTINUOUS SPEED	MAX. SPEED AT INTERMIT PRESSURE	WEIGHT
DP 30/17 UNI	21113001781	21113001782	164,5	106	R 1/2"	R 1/2"	17 cm ³ /rev	290 bar	315 bar	1500 rpm.	2500 rpm.	10 kg
DP 30/22 UNI	21113002281	21113002282	167,5	106	R 1/2"	R 1/2"	22 cm ³ /rev	290 bar	315 bar	1500 rpm.	2500 rpm.	10 kg
DP 30/27 UNI	21113002781	21113002782	170,5	109	R 3/4"	R 1/2"	27 cm ³ /rev	290 bar	315 bar	1500 rpm.	2500 rpm.	10 kg
DP 30/34 UNI	21113003481	21113003482	175,5	109	R 3/4"	R 3/4"	34 cm ³ /rev	280 bar	300 bar	1500 rpm.	2500 rpm.	10 kg
DP 30/43 UNI	21113004381	21113004382	179,5	113	R 1"	R 3/4"	43 cm ³ /rev	200 bar	260 bar	1500 rpm.	2500 rpm.	10 kg
DP 30/61 UNI	21113006181	21113006182	189,5	119	R 1 1/4"	R 1"	58 cm ³ /rev	200 bar	250 bar	1500 rpm.	2000 rpm.	12,5 kg
DP 30/82 UNI	21113008281	21113008282	207,5	129	R 1 1/4"	R 1"	85 cm ³ /rev	190 bar	250 bar	1400 rpm.	1800 rpm.	13 kg
DP 30/92 UNI	21113009281	21113009282	213,5	135	R 1 1/4"	R 1"	93 cm ³ /rev	190 bar	250 bar	1400 rpm.	1800 rpm.	14 kg
DP 37/107 UNI	21113710781	21113710782	225,5	139	R 1 1/4"	R 1"	111 cm ³ /rev	190 bar	250 bar	1400 rpm.	1800 rpm.	16 kg
DP 40/87 UNI	21114008781	21114008782	204,5	129,5	R 1 1/4"	R 1"	87 cm ³ /rev	200 bar	250 bar	1400 rpm.	2500 rpm.	17 kg
DP 40/109 UNI	21114010981	21114010982	212,5	136	R 1 1/4"	R 1"	108 cm ³ /rev	200 bar	250 bar	1400 rpm.	2500 rpm.	21 kg
DP 40/133 UNI	21114013381	21114013382	219,5	140,5	R 1 1/4"	R 1"	127 cm ³ /rev	190 bar	240 bar	1300 rpm.	2400 rpm.	22 kg

(UNI) GEAR PUMP WITH PNEUMATIC VALVE

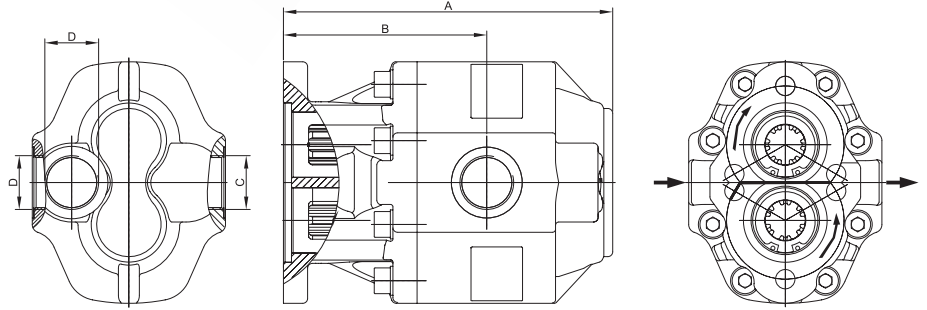
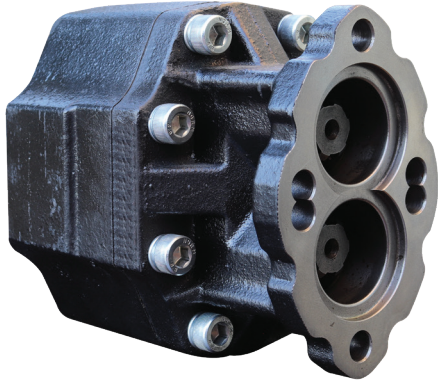
DP KV UNI



PRODUCT TYPE	PRODUCT CODE RIGHT	PRODUCT CODE LEFT	A (mm)	OIL INLET	OIL OUTLET	DISPLACEMENT	WORKING PRESSURE	MAX. INTERMITTENT PRESSURE	MAX. CONTINUOUS SPEED	MAX. SPEED AT INTERMIT PRESSURE	WEIGHT
DP 30/82 KV UNI	21123008281	21123008282	264,5	R 1 1/4"	R 1"	85 cm ³ /rev	190 bar	250 bar	1400 rpm.	1800 rpm.	16 kg

T2 GEAR PUMP

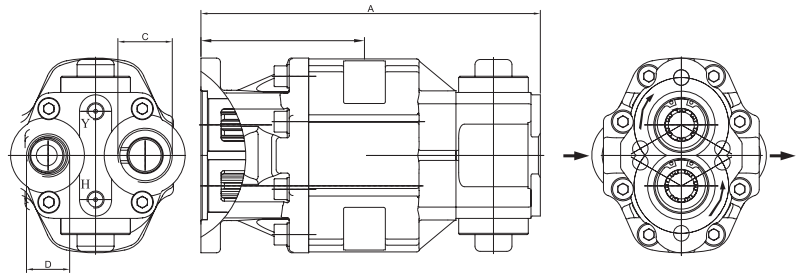
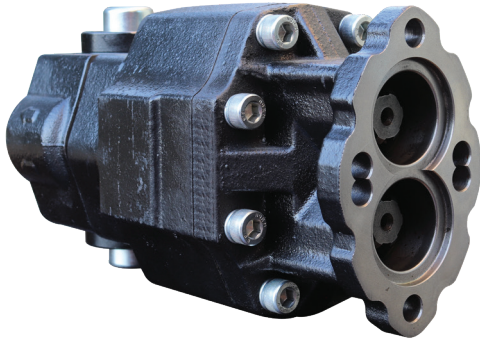
DP T2



PRODUCT TYPE	PRODUCT CODE	A (mm)	B (mm)	OIL INLET	OIL OUTLET	DISPLACEMENT	WORKING PRESSURE	MAX. INTERMITTENT PRESSURE	MAX. CONTINUOUS SPEED	MAX. SPEED AT INTERMIT PRESSURE	WEIGHT
DP 30/43 T2	21113004393	176,5	110	R 1"	R 3/4"	43 cm ³ /rev	200 bar	260 bar	1500 rpm.	2500 rpm.	12 kg
DP 30/61 T2	21113006193	186,5	116	R 1 1/4"	R 1"	58 cm ³ /rev	200 bar	250 bar	1500 rpm.	2000 rpm.	13 kg
DP 30/82 T2	21113008293	204,5	126	R 1 1/4"	R 1"	85 cm ³ /rev	190 bar	250 bar	1400 rpm.	1800 rpm.	14 kg
DP 40/87 T2	21143009293	201,5	126,5	R 1 1/4"	R 1"	87 cm ³ /rev	200 bar	250 bar	1400 rpm.	2500 rpm.	17 kg
DP 40/109 T2	21144009293	209,5	209,5	R 1 1/4"	R 1"	108 cm ³ /rev	200 bar	250 bar	1400 rpm.	2500 rpm.	21 kg
DP 40/133 T2	21144010993	216,5	137,5	R 1 1/4"	R 1"	127 cm ³ /rev	190 bar	240 bar	1300 rpm.	2400 rpm.	22 kg

T2 GEAR PUMP WITH PNEUMATIC VALVE

DP KV T2

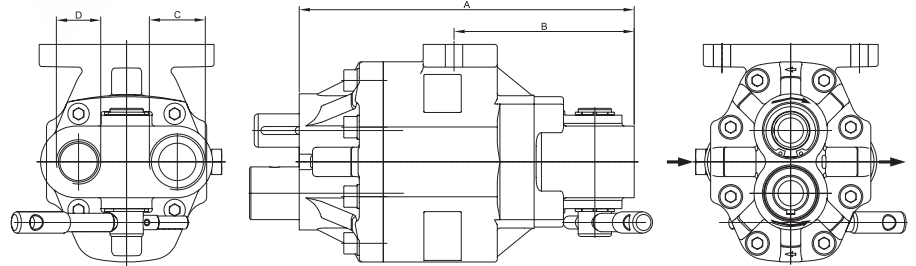
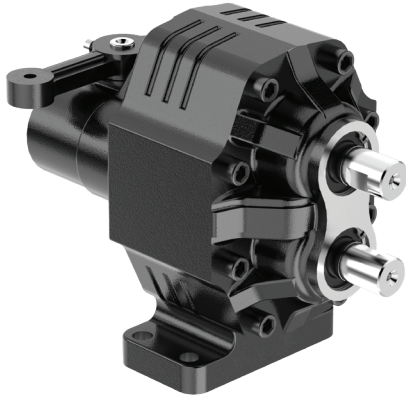


PRODUCT TYPE	PRODUCT CODE	A (mm)	B (mm)	OIL INLET	OIL OUTLET	DISPLACEMENT	WORKING PRESSURE	MAX. INTERMITTENT PRESSURE	MAX. CONTINUOUS SPEED	MAX. SPEED AT INTERMIT PRESSURE	WEIGHT
DP 30/82 KV T2	21123008293	261,5	-	R 1 1/4"	R 1"	85 cm ³ /rev	190 bar	250 bar	1400 rpm.	1800 rpm.	17 kg



BI-ROTATIONAL GEAR PUMP WITH MECHANICAL VALVE

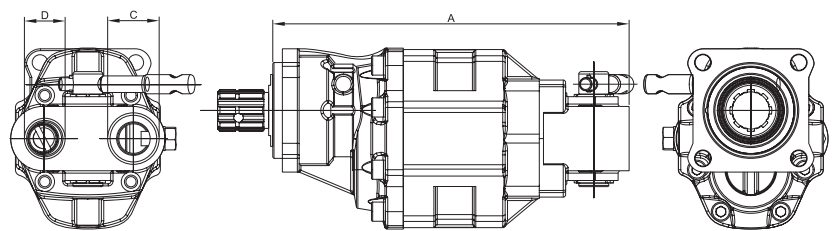
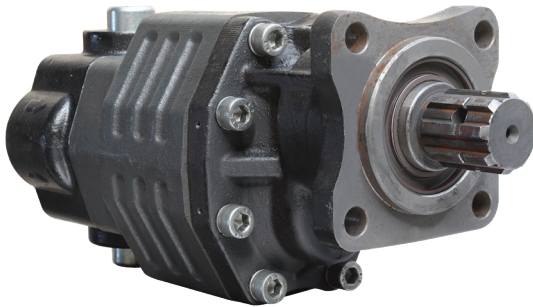
DP MV



PRODUCT TYPE	PRODUCT CODE	A (mm)	B (mm)	OIL INLET	OIL OUTLET	DISPLACEMENT	WORKING PRESSURE	MAX. INTERMITTENT PRESSURE	MAX. CONTINUOUS SPEED	MAX. SPEED AT INTERMIT PRESSURE	WEIGHT
DP 30/43 MV	21133004303	225	132	R 1 1/4"	R 1"	43 cm ³ /rev	190 bar	250 bar	1400 rpm.	1800 rpm.	17 kg
DP 30/61 MV	21133006103	235	130,5	R 1 1/4"	R 1"	58 cm ³ /rev	190 bar	250 bar	1400 rpm.	1800 rpm.	18,5 kg
DP 30/82 MV	21133008203	251	135	R 1 1/4"	R 1"	85 cm ³ /rev	190 bar	250 bar	1400 rpm.	1800 rpm.	20 kg
DP 40/109 MV	21134010903	251	135	R 1 1/4"	R 1"	108 cm ³ /rev	200 bar	250 bar	1400 rpm.	1800 rpm.	20 kg

ISO GEAR PUMP WITH MECHANICAL VALVE

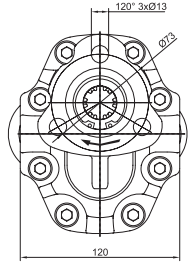
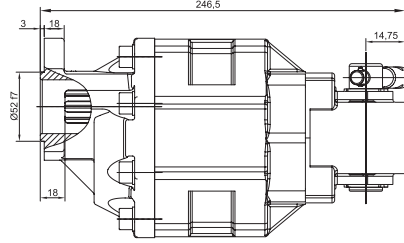
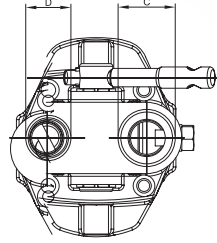
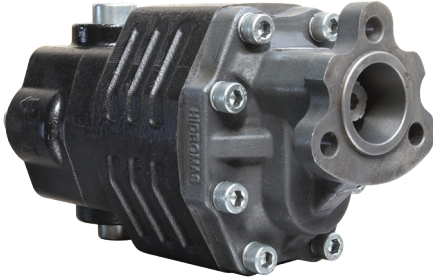
DP MV ISO



PRODUCT TYPE	PRODUCT CODE RIGHT	PRODUCT CODE LEFT	A (mm)	OIL INLET	OIL OUTLET	DISPLACEMENT	WORKING PRESSURE	MAX. INTERMITTENT PRESSURE	MAX. CONTINUOUS SPEED	MAX. SPEED AT INTERMIT PRESSURE	WEIGHT
DP 30/43 MV ISO	21133004371	21133004372	271	R 1 1/4"	R 1"	43 cm ³ /rev	190 bar	250 bar	1400 rpm.	1800 rpm.	17 kg
DP 30/61 MV ISO	21133006171	21133006172	281	R 1 1/4"	R 1"	58 cm ³ /rev	190 bar	250 bar	1400 rpm.	1800 rpm.	18,5 kg
DP 30/82 MV ISO	21133008271	21133008272	297	R 1 1/4"	R 1"	85 cm ³ /rev	190 bar	250 bar	1400 rpm.	1800 rpm.	20 kg
DP 40/109 MV ISO	21134010971	21134010972	306	R 1 1/4"	R 1"	108 cm ³ /rev	200 bar	250 bar	1400 rpm.	1800 rpm.	20 kg

UNI GEAR PUMP WITH MECHANICAL VALVE

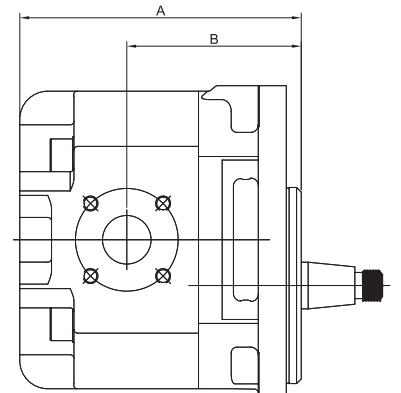
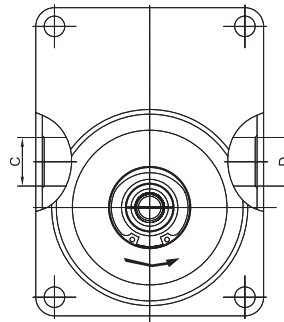
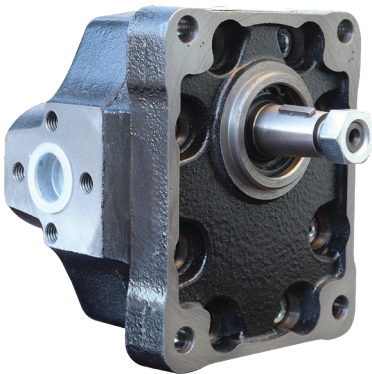
DP MV UNI



PRODUCT TYPE	PRODUCT CODE RIGHT	PRODUCT CODE LEFT	A (mm)	OIL INLET	OIL OUTLET	DISPLACEMENT	WORKING PRESSURE	MAX. INTERMITTENT PRESSURE	MAX. CONTINUOUS SPEED	MAX. SPEED AT INTERMIT PRESSURE	WEIGHT
DP 30/43 MV UNI	21133004381	21133004382	248	R 1 1/4"	R 1"	43 cm ³ /rev	190 bar	250 bar	1400 rpm.	1800 rpm.	14 kg
DP 30/61 MV UNI	21133006181	21133006182	258	R 1 1/4"	R 1"	58 cm ³ /rev	190 bar	250 bar	1400 rpm.	1800 rpm.	17 kg
DP 30/82 MV UNI	21133008281	21133008282	274	R 1 1/4"	R 1"	85 cm ³ /rev	190 bar	250 bar	1400 rpm.	1800 rpm.	18 kg
DP 40/109 MV UNI	21134010981	21134010982	283	R 1 1/4"	R 1"	108 cm ³ /rev	200 bar	250 bar	1400 rpm.	1800 rpm.	19 kg

GEAR PUMP

DP K ISO

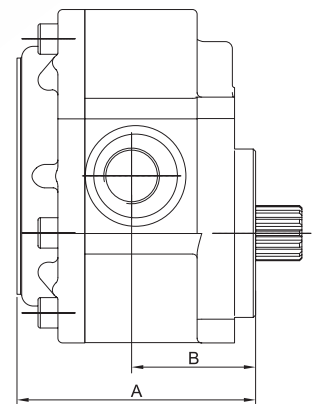
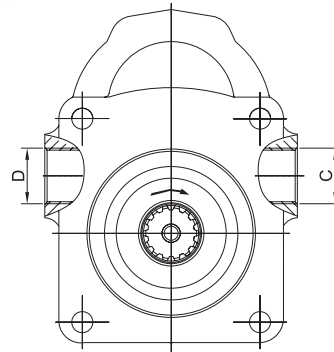
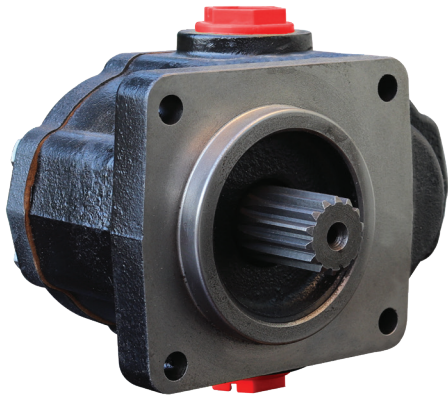


PRODUCT TYPE	PRODUCT CODE	A (mm)	B (mm)	C (mm)	D (mm)	DISPLACEMENT	WORKING PRESSURE	MAX. INTERMITTENT PRESSURE	MAX. CONTINUOUS SPEED	MAX. SPEED AT INTERMIT PRESSURE	WEIGHT
DP 30/40 K ISO	21153004071	150,7	93,4	26	26	34 cm ³ /rev	200 bar	260 bar	1400 rpm.	2500 rpm.	15 kg
DP 30/50 K ISO	21153005071	150,7	93,4	26	26	43 cm ³ /rev	200 bar	260 bar	1400 rpm.	2500 rpm.	15 kg



GEAR PUMP

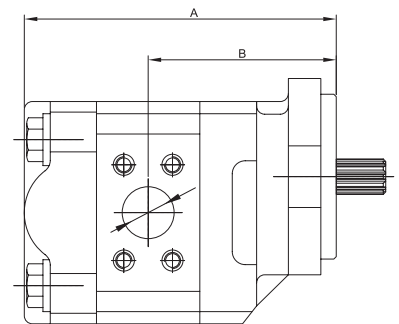
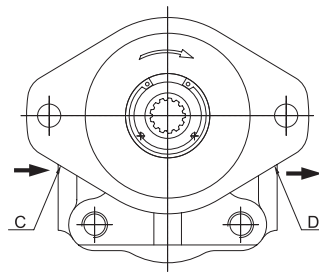
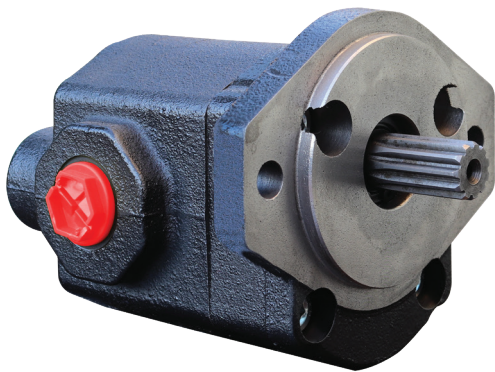
DP



PRODUCT TYPE	PRODUCT CODE	A (mm)	B (mm)	C (mm)	D (mm)	DISPLACEMENT	WORKING PRESSURE	MAX. INTERMITTENT PRESSURE	MAX. CONTINUOUS SPEED	MAX. SPEED AT INTERMIT PRESSURE	WEIGHT
DP 25/20	21152502071	102	53	24	24	45 cm ³ /rev	50 bar	75 bar	1500 rpm.	2000 rpm.	6 kg

GEAR PUMP

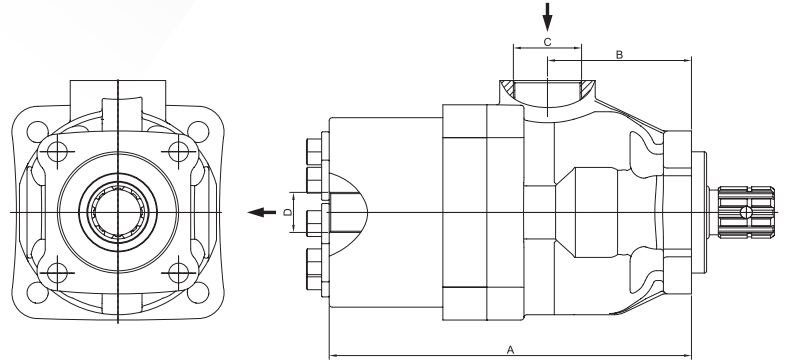
DP COM 01



PRODUCT TYPE	PRODUCT CODE	A (mm)	B (mm)	C (mm)	D (mm)	DISPLACEMENT	WORKING PRESSURE	MAX. INTERMITTENT PRESSURE	MAX. CONTINUOUS SPEED	MAX. SPEED AT INTERMIT PRESSURE	WEIGHT
DP COM 01	21152505871	193	116	39	39	58 cm ³ /rev	200 bar	250 bar	1500 rpm.	2000 rpm.	17 kg

PISTON PUMP

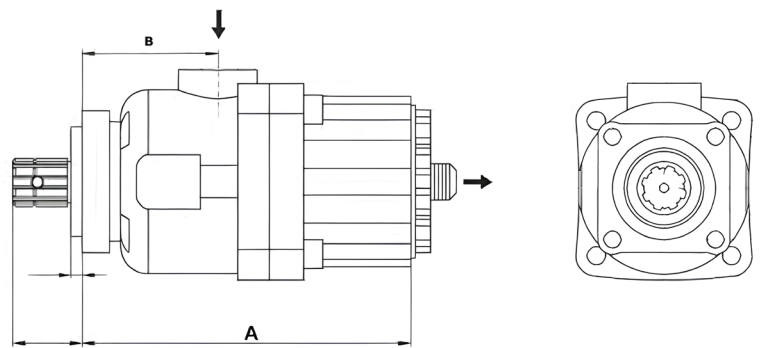
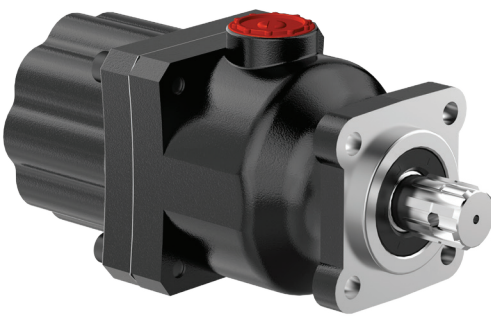
PP 03



PRODUCT TYPE	PRODUCT CODE	A (mm)	B (mm)	C (mm)	OIL OUTLET D (mm)	DISPLACEMENT	WORKING PRESSURE	MAX. INTERMITTENT PRESSURE	MAX. CONTINUOUS SPEED	MAX. SPEED AT INTERMIT PRESSURE	WEIGHT
PP 25/08/070	21210807073	249	105	45x2	R 3/4"	76 cm ³ /rev	250 bar	300 bar	900 rpm.	1300 rpm.	19 kg
PP 25/09/080	21210908073	249	105	45x2	R 3/4"	85 cm ³ /rev	250 bar	300 bar	900 rpm.	1300 rpm.	20 kg
PP 25/09/090	21210909073	249	105	45x2	R 3/4"	92 cm ³ /rev	250 bar	300 bar	900 rpm.	1300 rpm.	20 kg
PP 25/10/102	21211010273	249	105	45x2	R 3/4"	95 cm ³ /rev	250 bar	300 bar	900 rpm.	1300 rpm.	21 kg

PISTON PUMP

PP 04

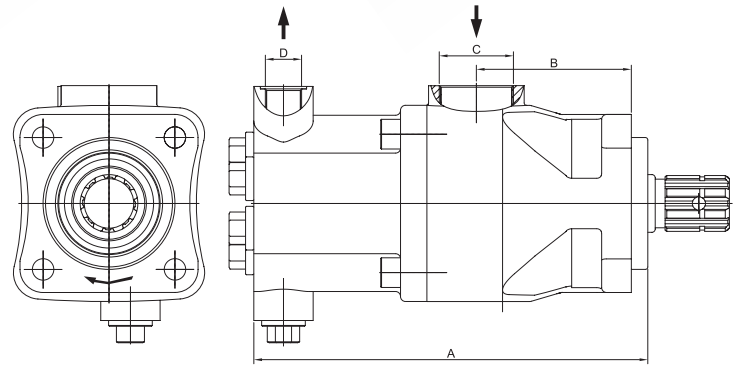
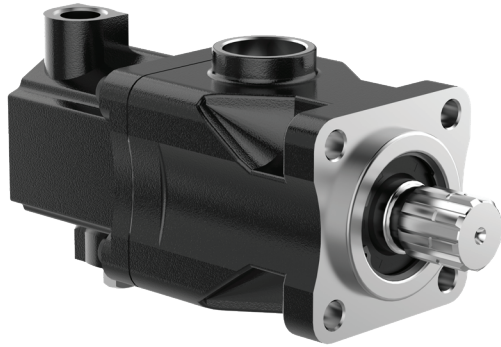


PRODUCT TYPE	PRODUCT CODE	A (mm)	B (mm)	OIL INLET	OIL OUTLET	DISPLACEMENT	WORKING PRESSURE	MAX. INTERMITTENT PRESSURE	MAX. CONTINUOUS SPEED	MAX. SPEED AT INTERMIT PRESSURE	WEIGHT
PP 22/03/013	21220301363	265,5	56,5	R 1 1/4"	R 1/2"	13 cm ³ /rev	350 bar	400 bar	1500 rpm.	1800 rpm.	12 kg
PP 22/03/015	21220301563	265,5	56,5	R 1 1/4"	R 1/2"	15 cm ³ /rev	350 bar	400 bar	1500 rpm.	1800 rpm.	12 kg
PP 22/03/017	21220301763	265,5	56,5	R 1 1/4"	R 1/2"	17 cm ³ /rev	350 bar	400 bar	1500 rpm.	1800 rpm.	12 kg



PISTON PUMP

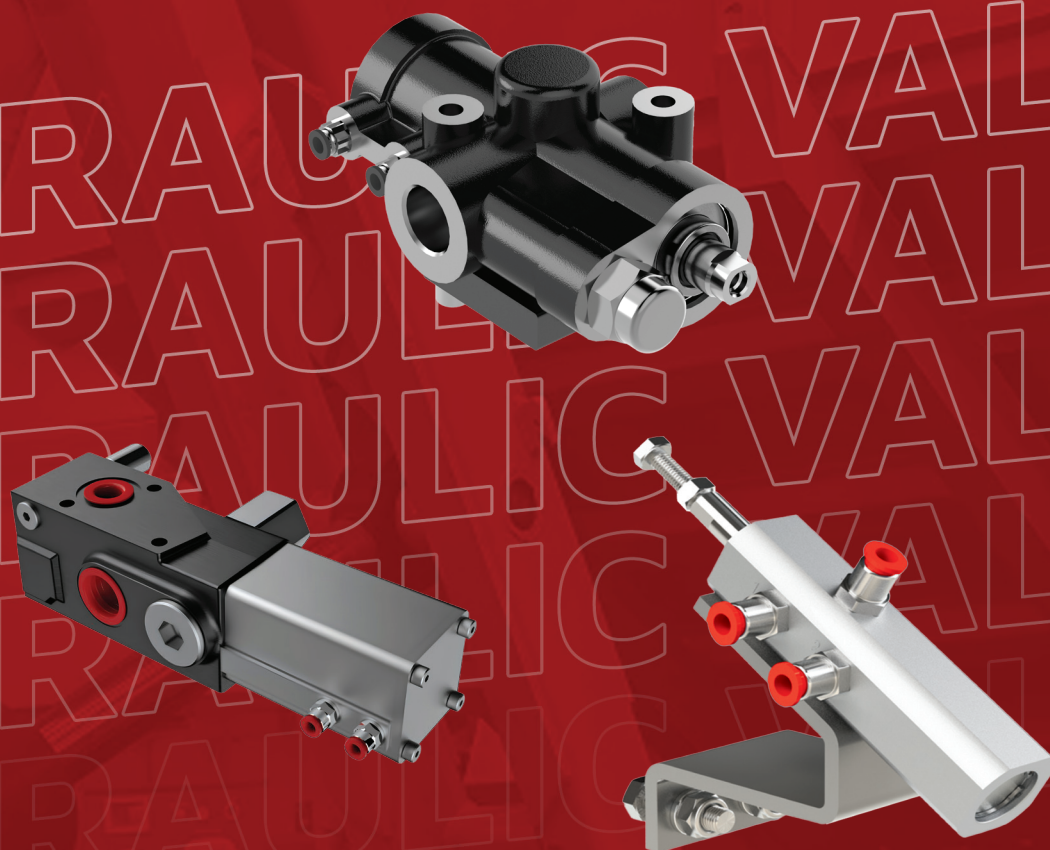
PP 02



PRODUCT TYPE	PRODUCT CODE	A (mm)	B (mm)	C (mm)	OIL OUTLET D (mm)	DISPLACEMENT	WORKING PRESSURE	MAX. INTERMITTENT PRESSURE	MAX. CONTINUOUS SPEED	MAX. SPEED AT INTERMIT PRESSURE	WEIGHT
PP 25/05/030	21210503073	229	94	45x2	22x1,5	33 cm ³ /rev	250 bar	300 bar	900 rpm.	1300 rpm.	14 kg
PP 25/06/040	21210604073	229	94	45x2	22x1,5	40 cm ³ /rev	250 bar	300 bar	900 rpm.	1300 rpm.	15 KG

HYDRAULIC VALVES

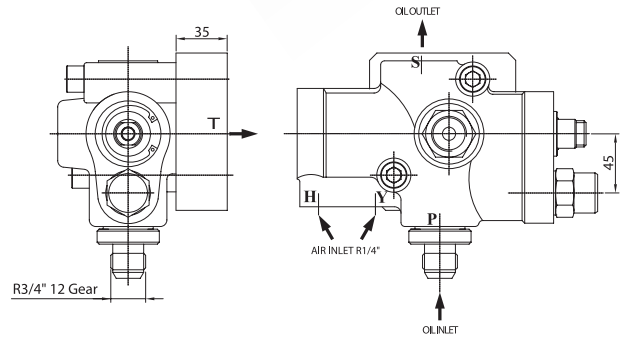
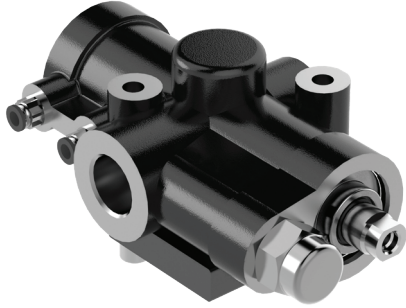
Section



Hydraulic

MOUNTING TIPPING VALVE ON TANK

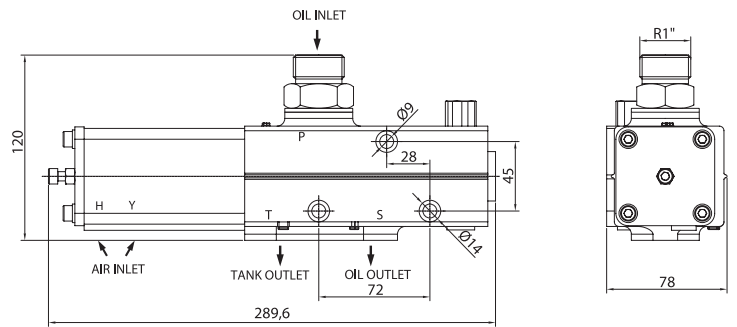
YDV 05



PRODUCT TYPE	PRODUCT CODE	CYLINDER CONNECTION	PUMP CONNECTION	FAST LOWER	SLOW LOWER	MAX.WORKING PRESSURE	MAX. FLOW	OIL TEMP. RANGE	WEIGHT
YDV 05	23802005	R 3/4"	R 1"	R 1/4"	R 1/4"	190 bar	140 L/M	-20 & 80 °C	8 kg

TIPPING VALVE

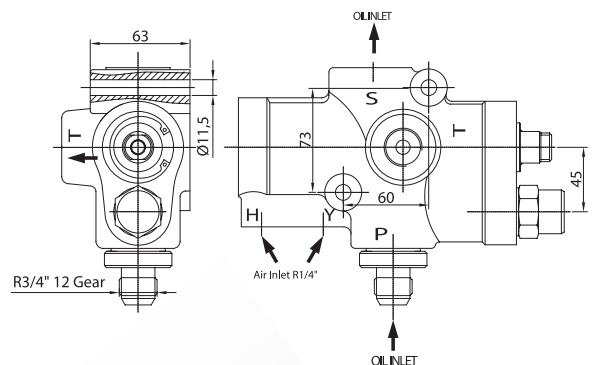
YDV 07



PRODUCT TYPE	PRODUCT CODE	CYLINDER CONNECTION	PUMP CONNECTION	TANK CONNECTION	CYLINDER TIPPING	CYLINDER LOWERING	MAX.WORKING PRESSURE	MAX. FLOW	OIL TEMP. RANGE	WEIGHT
YDV 07	23802007	R 1"	R 1"	R 1"	R 1/8"	R 1/8"	190 bar	220 L/M	-20 & 80 °C	6,5 kg

TIPPING VALVE

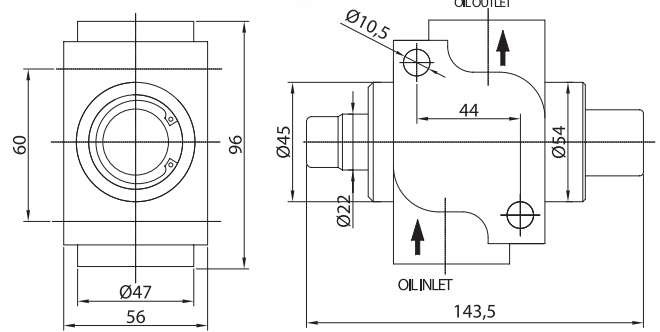
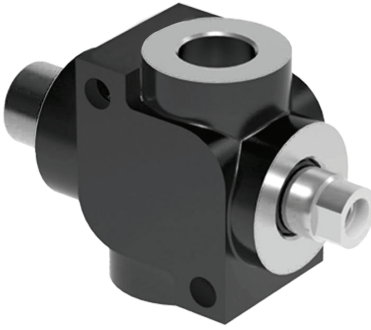
YDV



PRODUCT TYPE	PRODUCT CODE	CYLINDER CONNECTION	PUMP CONNECTION	TANK CONNECTION	FAST LOWER	SLOW LOWER	MAX.WORKING PRESSURE	MAX. FLOW	OIL TEMP. RANGE	WEIGHT
YDV 01	23802001	R 3/4"	R 1"	R 3/4"	R 1/4"	R 1/4"	190 bar	140 L/M	-20 & 80 °C	7 kg
YDV 02	23802002	R 1"	R 1"	R 1"	R 1/4"	R 1/4"	190 bar	140 L/M	-20 & 80 °C	7 kg
YDV 03	23802003	R 3/4"	R 1"	R 3/4"	R 1/4"	R 1/4"	190 bar	140 L/M	-20 & 80 °C	7 kg

END-OF STROKE VALVE

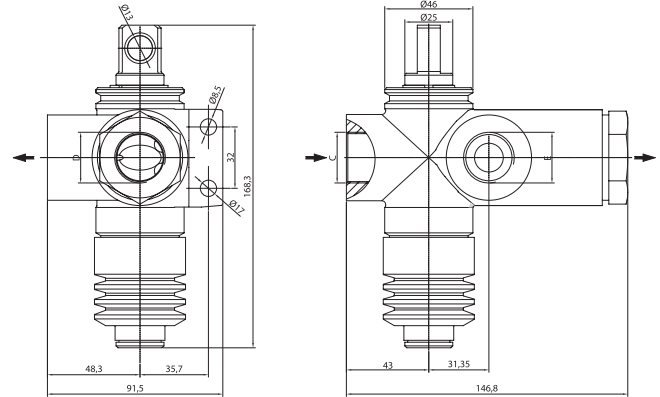
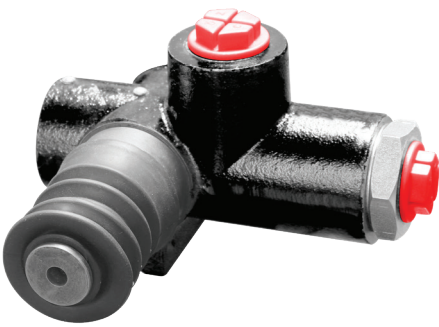
SKV 01



PRODUCT TYPE	PRODUCT CODE	OIL INLET	OIL OUTLET	MAX.WORKING PRESSURE	MAX. FLOW	OIL TEMP. RANGE	WEIGHT
SKV 01	23902001	R 3/4"	R 3/4"	190 bar	140 L/M	-20 & 80 °C	2 kg

TIPPING VALVE FOR TRAILER AND TRUCK

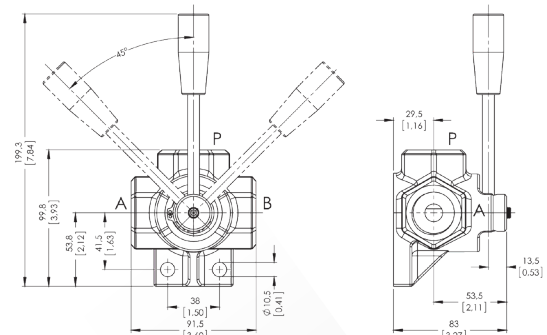
SKV 02



PRODUCT TYPE	PRODUCT CODE	OIL INLET (C)	OIL OUTLET (D)	OIL OUTLET (E)	MAX.WORKING PRESSURE	MAX. FLOW	OIL TEMP. RANGE	WEIGHT
SKV 02	23902002	R 3/4"	R 3/4"	R 3/4"	190 bar	140 L/M	-20 & 80 °C	2,5 kg

DIVERTER VALVE -3WAY MANUEL

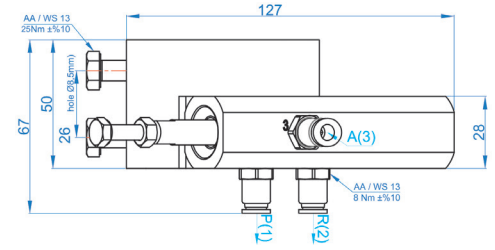
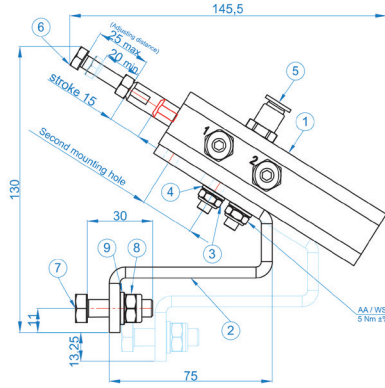
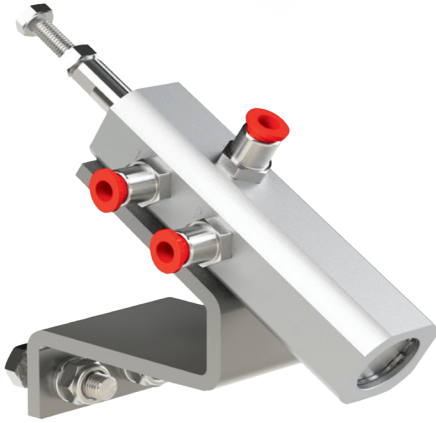
KVN 01



PRODUCT TYPE	PRODUCT CODE	PRODUCT NAME
KVN 01	2352001	DIVERTER VALVE 3-WAY MANUEL 3/4

PNEUMATIC END OF STROKE VALVE

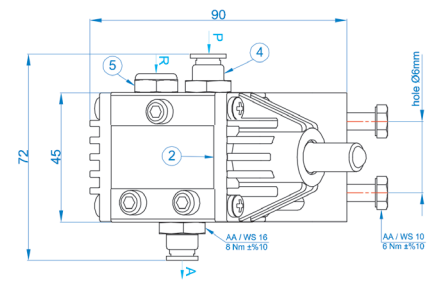
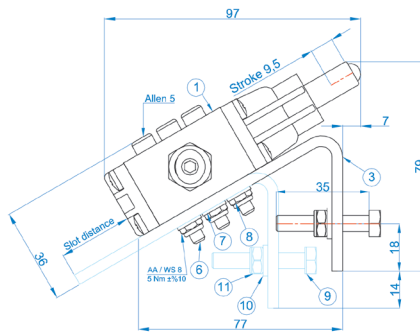
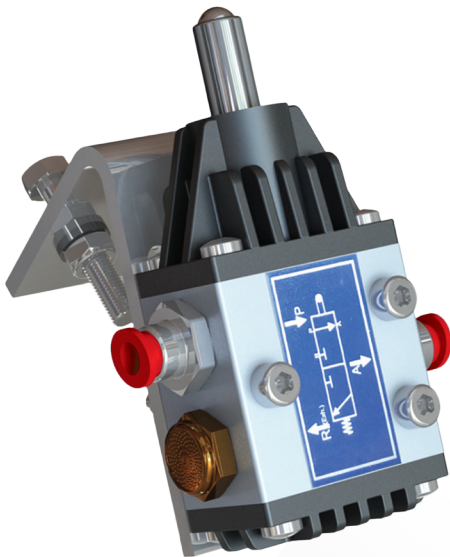
SKV 03



PRODUCT TYPE	PRODUCT CODE	AIR INLET 1-3	AIR OUTLET 2	MAX. WORKING PRESSURE	OIL TEMP. RANGE	WEIGHT
SKV 03	23902003	G 1/8"	G 1/8"	12 BAR	-20 & 80 °C	0,3 kg

PNEUMATIC END-OF STROKE VALVE

SKV 04

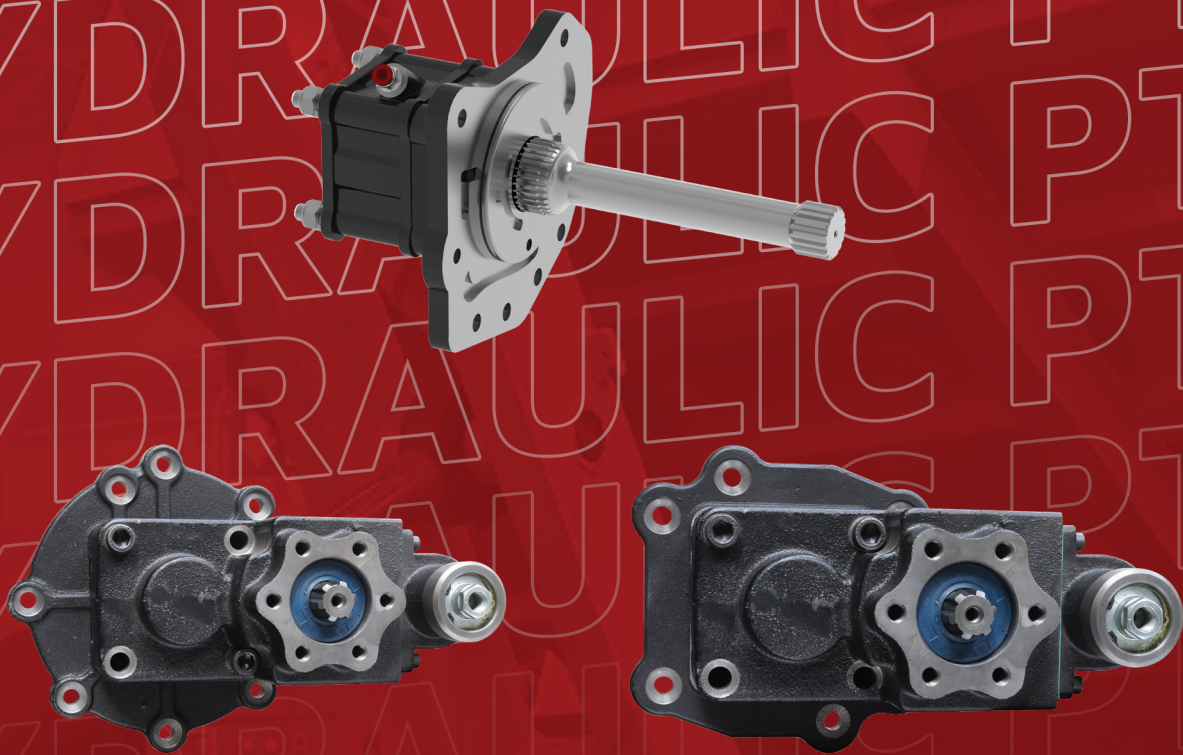


PRODUCT TYPE	PRODUCT CODE	MAX. AIR PRESSURE	WORKING TEMP.	CONNECTION	WEIGHT
AKO 02	36001534	10 bar	-20 / +80 °C	Air hose 6x4	0,42 kg



HYDRAULIC PTO

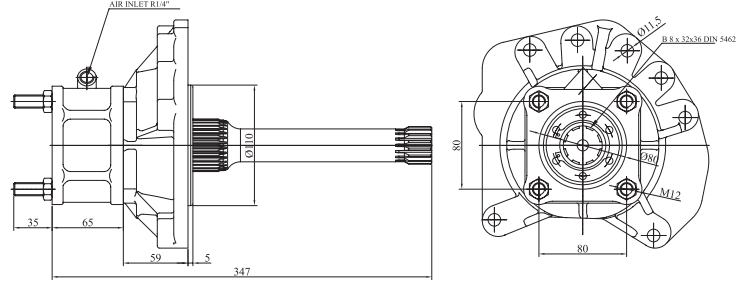
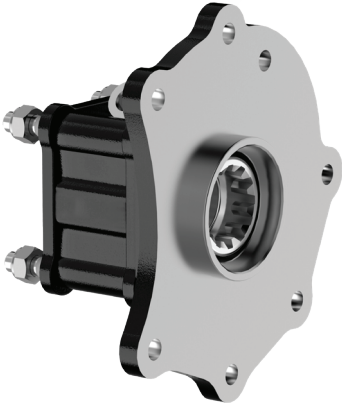
Section



Hydraulic

POWER TAKE-OFF

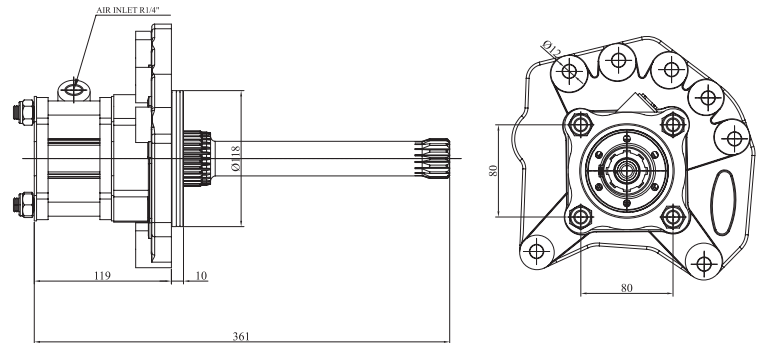
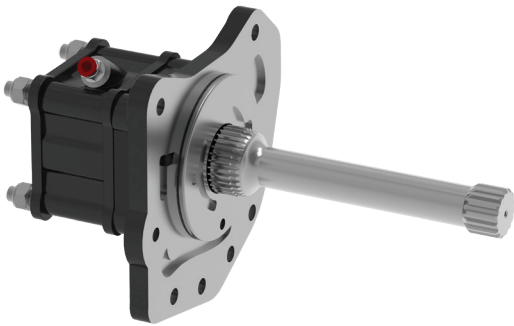
AC PTO 01



PRODUCT TYPE	PRODUCT CODE	TORK	POWER	RATIO	ROTATION	MOUNTING TYPE	CONTROL TYPE	TOOLS USED İN	WEIGHT
AC PTO 01	24511001	57 kgm	25,7 kw	1/1	LEFT	REAR	PNEUMATIC	1528-1823-1828-1924-2523-2528-2623-2628-2832-3224-3228-AXOR 1223-1323-1328-1523-1828-2528-2628 ATEGO	11,3 kg

POWER TAKE-OFF

AC PTO 02

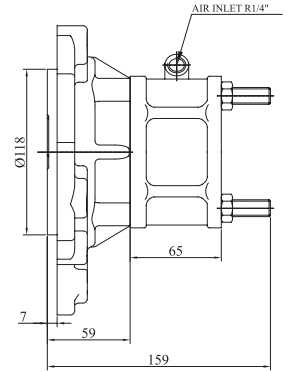
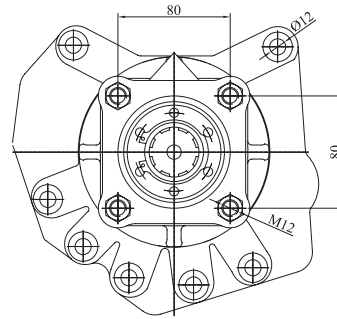
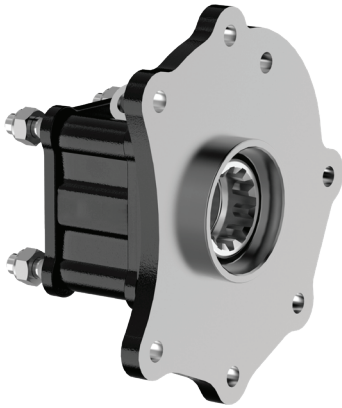


PRODUCT TYPE	PRODUCT CODE	TORK	POWER	RATIO	ROTATION	MOUNTING TYPE	CONTROL TYPE	TOOLS USED İN	WEIGHT
AC PTO 02	24511002	57 kgm	25,7 kw	1/1	LEFT	REAR	PNEUMATIC	1729-1735-1827-1834-1838-1929-1935-2038-2429-2435-2527-2531-2534-2629-2631-2635-2638-3229-3234-3534-3535-1831-1835-1840-1844-1848-1850-1857-1934-1938-1953-2044-2050-2544-2550-2643-2644-2650-3031-3234-3331-3348-4148-3335-3336-3235-3340-2031-2040-2648-3548-3553-3557-3538 ACTROS MERCEDES	10,8 kg



POWER TAKE-OFF

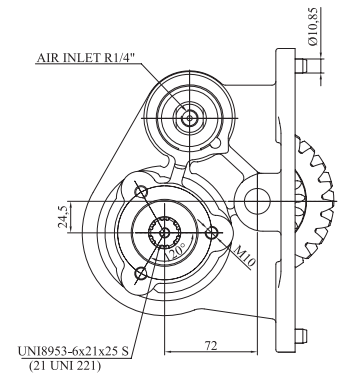
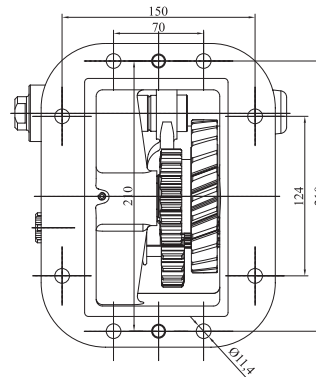
AC PTO 03



PRODUCT TYPE	PRODUCT CODE	TORK	POWER	RATIO	ROTATION	MOUNTING TYPE	CONTROL TYPE	TOOLS USED İN	WEIGHT
AC PTO 03	24511003	57 kgm	25,7 kw	1/1	LEFT	REAR	PNEUMATIC	1528-1823-1828-1924-2523-2528-2623-2628 -2832-3224-3228-AXOR 1223-1323-1328-1523-1828-2528-2628 ATEGO	11 kg

GR 900 POWER TAKE-OFF

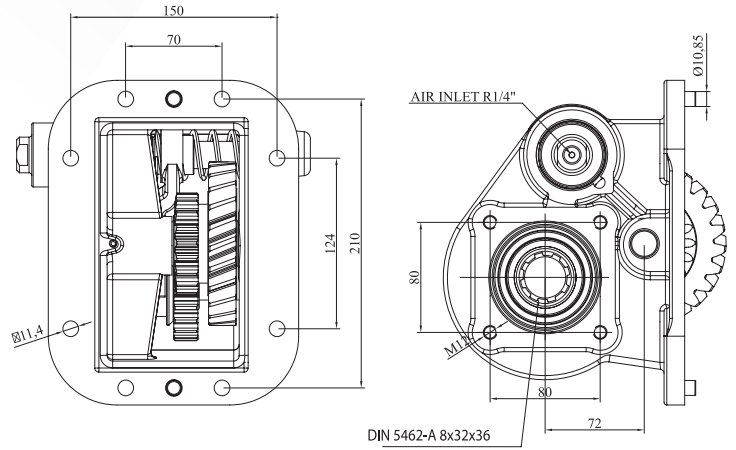
PTO GR 01



PRODUCT TYPE	PRODUCT CODE	TORK	POWER	RATIO	ROTATION	MOUNTING TYPE	CONTROL TYPE	TOOLS USED İN	WEIGHT
PTO GR 01	24531001	35 kgm	21 kw	1/1	LEFT	REAR	PNEUMATIC	1729-1735-1827-1834-1838-1929-1935-2038- 2429-2435-2527-2531-2534-2629-2631-2635- 2638-3229-3234-3534-3535-1831-1835-1840- 1844-1848-1850-1857-1934-1938-1953-2044- 2050-2544-2550-2643-2644-2650-3031-3234- 3331-3348-4148-3335-3336-3235-3340-2031- 2040-2648-3548-3553-3557-3538 ACTROS MERCEDES	18 kg

GR 900 POWER TAKE-OFF

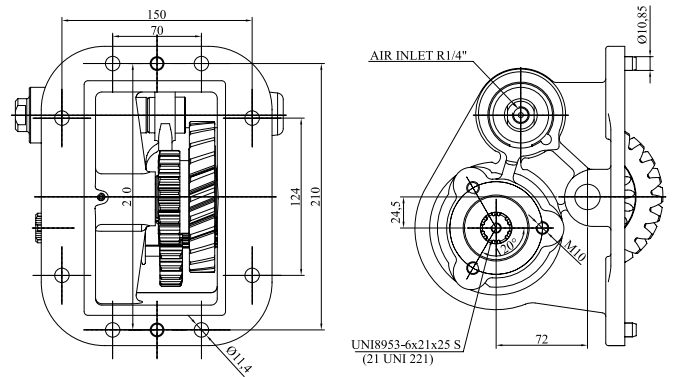
PTO GR 02



PRODUCT TYPE	PRODUCT CODE	TORK	POWER	RATIO	ROTATION	MOUNTING TYPE	CONTROL TYPE	TOOLS USED IN	WEIGHT
PTO GR 02	24531004	35 kgm	21 kw	1/1,357	RIGHT	SIDE	PNEUMATIC	94C310-124C360-R124G360-143H450CV -143M400CV-260H-143HP113M-P 114-GA380-114P-124R-113P-114R-113H360	18 kg

GRS 900 POWER TAKE-OFF

PTO GRS 01

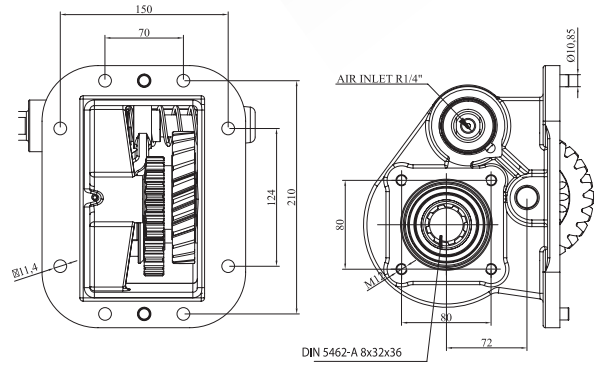


PRODUCT TYPE	PRODUCT CODE	TORK	POWER	RATIO	ROTATION	MOUNTING TYPE	CONTROL TYPE	TOOLS USED IN	WEIGHT
PTO GRS 01	24531002	35 kgm	21 kw	1/1,357	RIGHT	SIDE	PNEUMATIC	124 G 420-113-124 L 400-144 L 530-124 LA 420- 144 LA 460 144 LA 530-R124 LA 420 R124 GA 420-143H-143M-143.400-143.450 143.500-R580-R124GA/CB-R164 GA SCANIA	18 kg



GRS 900 POWER TAKE-OFF

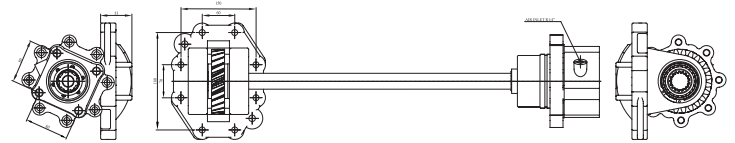
PTO GRS 02



PRODUCT TYPE	PRODUCT CODE	TORK	POWER	RATIO	ROTATION	MOUNTING TYPE	CONTROL TYPE	TOOLS USED IN	WEIGHT
PTO GRS 02	24531003	35 kgm	21 kw	1/1,357	RIGHT	SIDE	PNEUMATIC	124 G 420-113-124 L 400-144 L 530-124 LA 420-144 LA 460 - 144 LA 530-R124 LA 420 R124 GA 420-143H-143M-143.400-143.450 143.500-R580-R124GA/CB-R164 GA SCANIA	18 kg

SCANIA GRS 905 POWER TAKE-OFF

PTO GRS 03



PRODUCT TYPE	PRODUCT CODE	TORK	POWER	RATIO	ROTATION	MOUNTING TYPE	CONTROL TYPE	TOOLS USED IN	WEIGHT
PTO GRS 03	24531005	44,8 kgm	42,4 kw	1/1	LEFT	REAR	PNEUMATIC	R420-HG420-HG380	23,5 kg

SCANIA GRS O 905 POWER TAKE-OFF

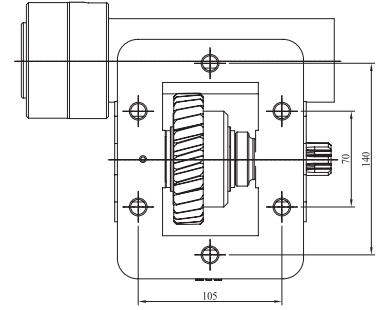
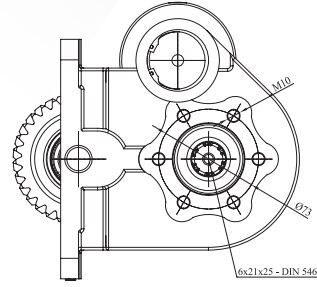
PTO GRS 04



PRODUCT TYPE	PRODUCT CODE	TORK	POWER	RATIO	ROTATION	MOUNTING TYPE	CONTROL TYPE	TOOLS USED IN	WEIGHT
PTO GRS 04	24531006	44,8 kgm	42,4 kw	1/1	LEFT	REAR	PNEUMATIC	R420/G420 SCANIA	23,5 kg

HYUNDAI HD 75 EURO 4 VACUUM POWER TAKE-OFF (6 SPEED)

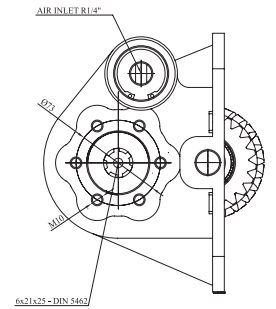
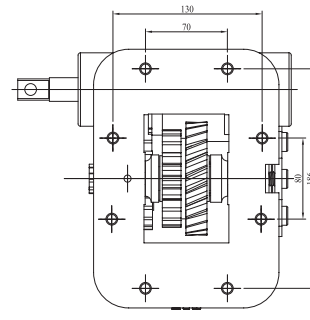
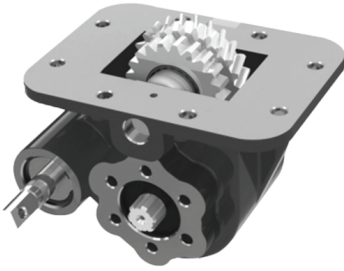
PTO HYN 01



PRODUCT TYPE	PRODUCT CODE	TORK	POWER	RATIO	ROTATION	MOUNTING TYPE	CONTROL TYPE	TOOLS USED IN	WEIGHT
PTO HYN 01	24591001	24 kgm	8,5 kw	1/1	RIGHT	LEFT SIDE	VACUUM	HD 75EURO4	9,5 kg

ISUZU MBP 6P MK POWER TAKE-OFF

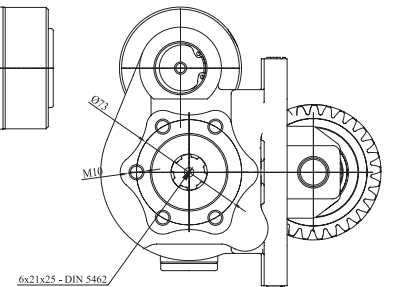
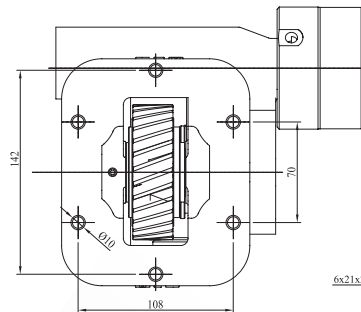
PTO ISZ 01



PRODUCT TYPE	PRODUCT CODE	TORK	POWER	RATIO	ROTATION	MOUNTING TYPE	CONTROL TYPE	TOOLS USED IN	WEIGHT
PTO ISZ 01	24541001	18 kgm	10,6 kw	1/0,95	RIGHT	LEFT SIDE	MECHANIC	NQR4.8 TURBO ISUZU/NQR 70P/FSR/LM524	13 kg

ISUZU MXA 5R VACUUM POWER TAKE-OFF

PTO ISZ 02

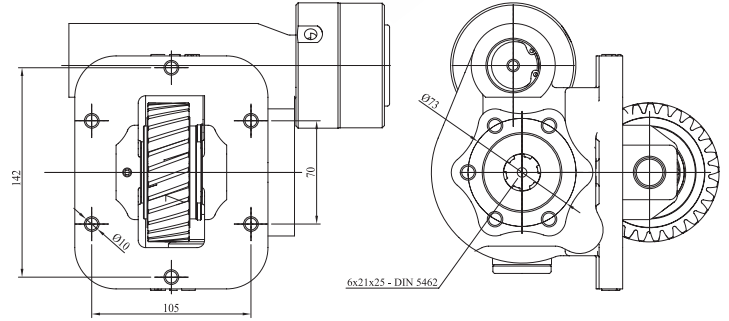


PRODUCT TYPE	PRODUCT CODE	TORK	POWER	RATIO	ROTATION	MOUNTING TYPE	CONTROL TYPE	TOOLS USED IN	WEIGHT
PTO ISZ 02	24541002	18,3 kgm	11,2 kw	1/1,36	RIGHT	LEFT SIDE	VACUUM	NKR WIDE LX 100 HP-4.3 NPR CHAMPION ISUZU / 3.2 NPR ISUZU 3.2 NPR ISUZU NPR 66 / NHR 70 / NKR 66 / NKR 66E / NPR 66P / NPR 300-400-400S FRR500 / ISUZU ELF 250	11 kg



ISUZU MOY CR VACUUM POWER TAKE-OFF

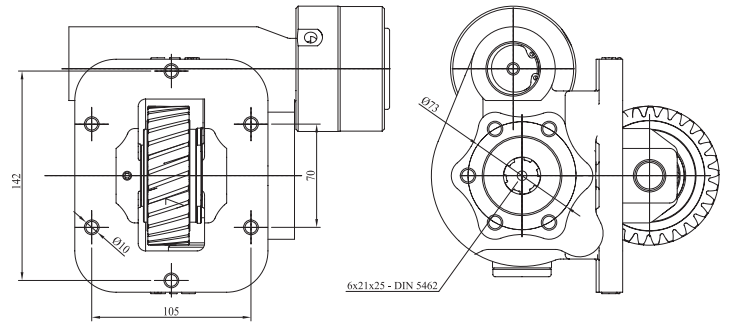
PTO ISZ 03



PRODUCT TYPE	PRODUCT CODE	TORK	POWER	RATIO	ROTATION	MOUNTING TYPE	CONTROL TYPE	TOOLS USED IN	WEIGHT
PTO ISZ 03	24541003	23 kgm	22 kw	1/1,03	RIGHT	LEFT SIDE	VACUUM	4.3 NPR66-71-75-77 ISUZU CHAMPION (2005-2006)/NKR250/NPR250 NKR66 E2L	14 kg

ISUZU MSA 5P VACUUM POWER TAKE-OFF

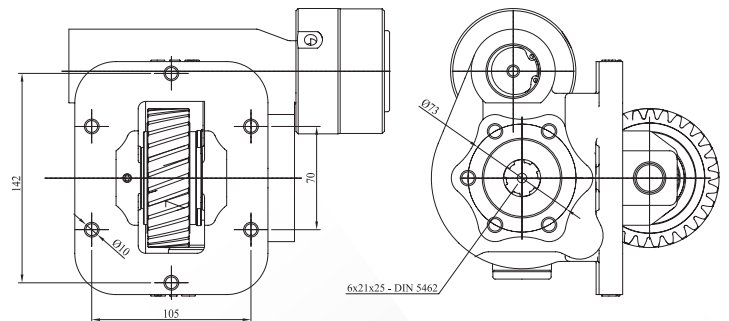
PTO ISZ 04



PRODUCT TYPE	PRODUCT CODE	TORK	POWER	RATIO	ROTATION	MOUNTING TYPE	CONTROL TYPE	TOOLS USED IN	WEIGHT
PTO ISZ 04	24541004	18,2 kgm	11,2 kw	1/1,31	RIGHT	LEFT SIDE	VACUUM	KS11-KS20-KS21-KS32-8.8 WIDE DIESEL-NKR 55L/3.3 IRAN ISUZU NKR-NHR-NPR3.6/3.9 ISUZU HVC SAH1063 (LC5T30)	12 kg

ISUZU MSB 5S VACUUM POWER TAKE-OFF

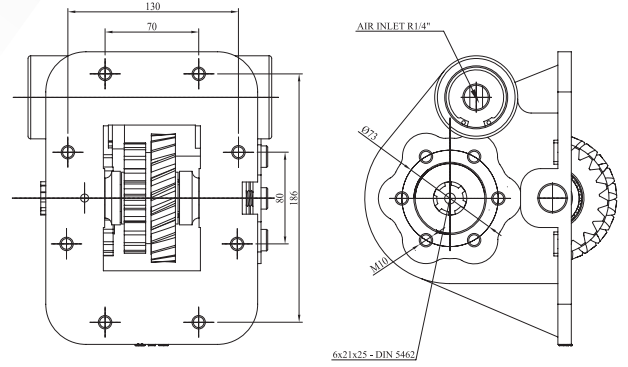
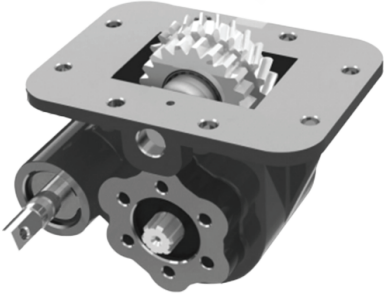
PTO ISZ 05



PRODUCT TYPE	PRODUCT CODE	TORK	POWER	RATIO	ROTATION	MOUNTING TYPE	CONTROL TYPE	TOOLS USED IN	WEIGHT
PTO ISZ 05	24541005	16,6 kgm	10,5 kw	1/1,34	RIGHT	LEFT SIDE	VACUUM	NKR 2.8 ISUZU LOW/NKR 55 LOW/NHR 55E/CARRIER 250T	12 kg

ISUZU MBP 6P PK POWER TAKE-OFF

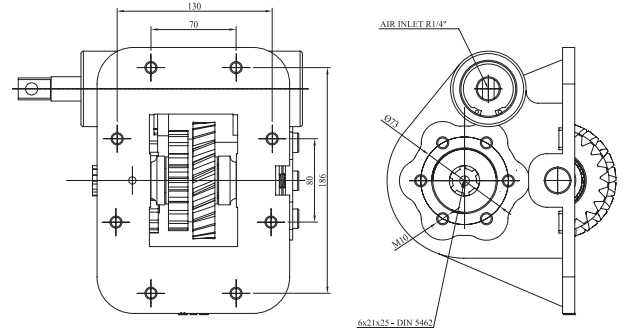
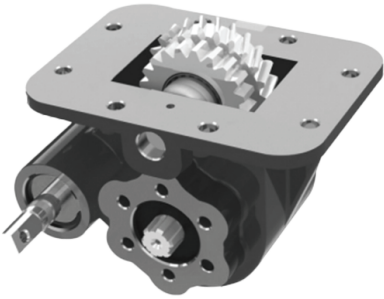
PTO ISZ 06



PRODUCT TYPE	PRODUCT CODE	TORK	POWER	RATIO	ROTATION	MOUNTING TYPE	CONTROL TYPE	TOOLS USED İN	WEIGHT
PTO ISZ 06	24541006	18 kgm	10,6 kw	1/0,95	RIGHT	LEFT SIDE	PNEUMATIC	NQR4.8 3D TURBO ISUZU (2005) /NQR71PL5.2 ISUZU	13 kg

ISUZU MOZ 06 MK POWER TAKE-OFF

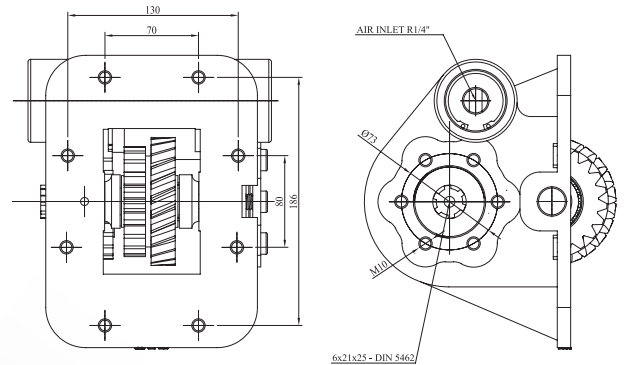
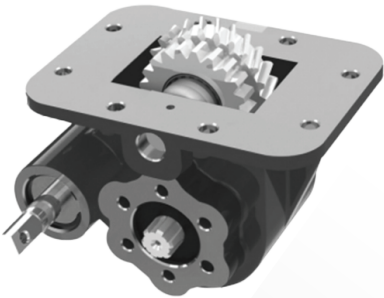
PTO ISZ 07



PRODUCT TYPE	PRODUCT CODE	TORK	POWER	RATIO	ROTATION	MOUNTING TYPE	CONTROL TYPE	TOOLS USED İN	WEIGHT
PTO ISZ 07	24541007	21,6 kgm	20,6 kw	1/0,95	RIGHT	LEFT SIDE	MECHANIC	NQR4.8 TURBO ISUZU/NQR 70P/FSR/LM524	14 kg

ISUZU MOZ 06 PK POWER TAKE-OFF

PTO ISZ 08

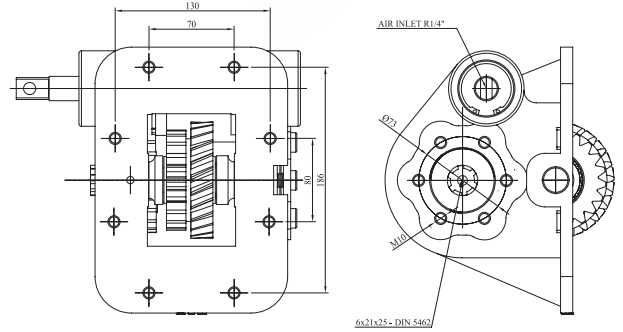
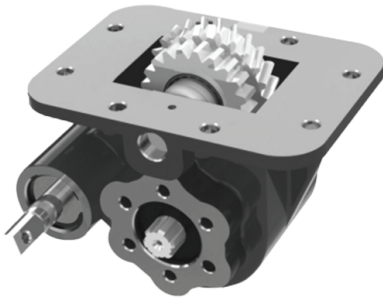


PRODUCT TYPE	PRODUCT CODE	TORK	POWER	RATIO	ROTATION	MOUNTING TYPE	CONTROL TYPE	TOOLS USED İN	WEIGHT
PTO ISZ 08	24541008	21,6 kgm	20,6 kw	1/0,95	RIGHT	LEFT SIDE	PNEUMATIC	NQR4.8 TURBO ISUZU/NQR 70P/FSR/LM524	14 kg



ISUZU MOZ 79 MK POWER TAKE-OFF

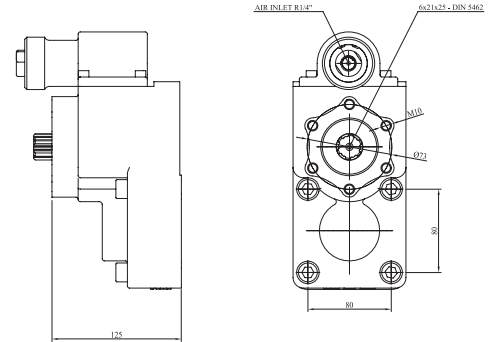
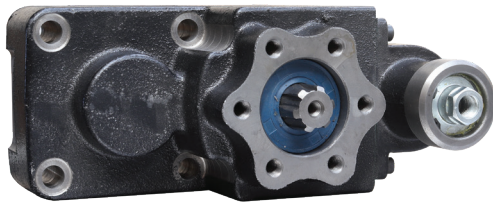
PTO ISZ 09



PRODUCT TYPE	PRODUCT CODE	TORK	POWER	RATIO	ROTATION	MOUNTING TYPE	CONTROL TYPE	TOOLS USED IN	WEIGHT
PTO ISZ 09	24541009	21,6 kgm	20,6 kw	1/0,95	RIGHT	LEFT SIDE	MECHANIC	ISUZU MOZ79	15 kg

IVECO 2855 POWER TAKE-OFF

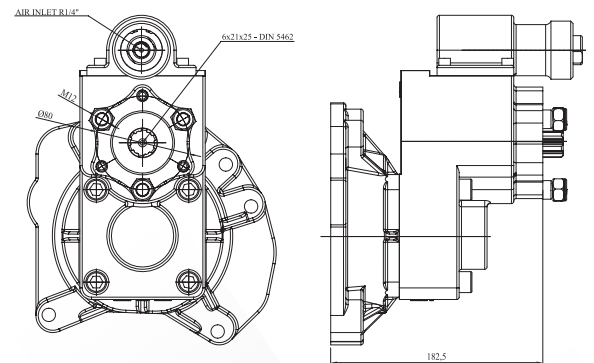
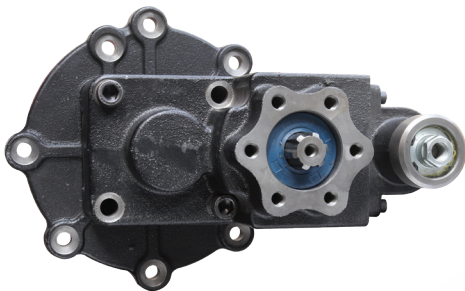
PTO IVC 01



PRODUCT TYPE	PRODUCT CODE	TORK	POWER	RATIO	ROTATION	MOUNTING TYPE	CONTROL TYPE	TOOLS USED IN	WEIGHT
PTO IVC 01	24551001	18,3 kgm	12,5 kw	1/1,12	LEFT	REAR	PNEUMATIC	IVECO 60.10-60.12-75.14-80.12-80.14-85.12-85.14-120.14-140.14-150.14-130E15-150E21-220E21-60.14-65E12-65E14-75.12-75E14-75E15-57E17-75E18-80E18-85E13-85E15-100E15-100E18-130E15-130E18	14 kg

MERCEDES ATEGO UNI POWER TAKE-OFF (7 PIN)

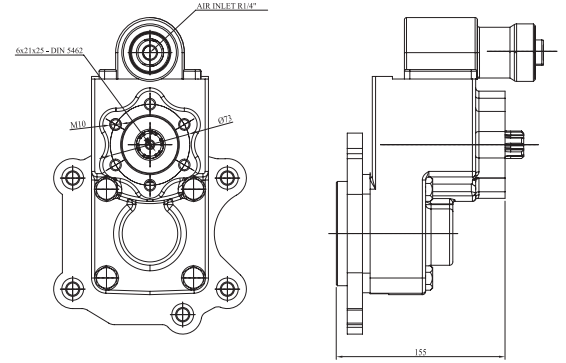
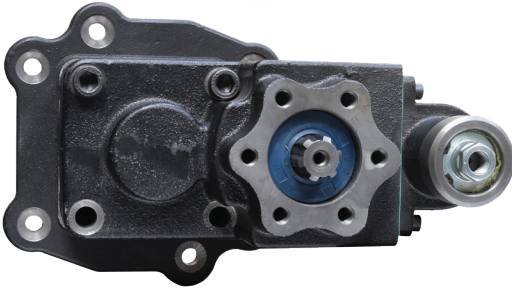
PTO MRC 01



PRODUCT TYPE	PRODUCT CODE	TORK	POWER	RATIO	ROTATION	MOUNTING TYPE	CONTROL TYPE	TOOLS USED IN	WEIGHT
PTO MRC 01	24511006	22,4 kgm	14,9 kw	1/1,12	LEFT	REAR	PNEUMATIC	614-814-815-817-818-823-925-1017-1215-1217-1223-1225-1317-1323-1328-1517-1523-1618-1623-1823 ATEGO	12 kg

MERCEDES ATEGO UNI POWER TAKE-OFF (6 PIN)

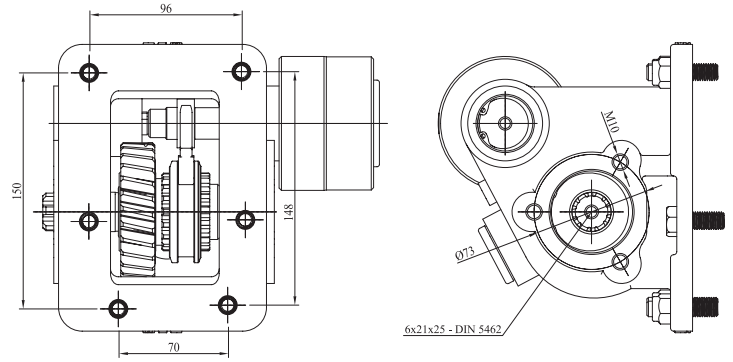
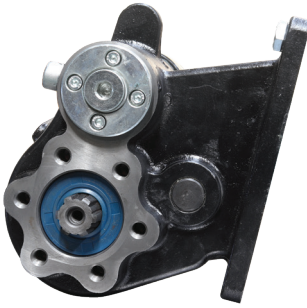
PTO MRC 02



PRODUCT TYPE	PRODUCT CODE	TORK	POWER	RATIO	ROTATION	MOUNTING TYPE	CONTROL TYPE	TOOLS USED İN	WEIGHT
PTO MRC 02	24511007	22,4 kgm	14,9 kw	1/1,12	LEFT	REAR	PNEUMATIC	614-814-815-817-818-823-925-1017-1215-1217-1223-1225-1317-1323-1328-1517-1523-1618-1623-1823 ATEGO	12 kg

MITSUBISHI MO35S5 VACUUM POWER TAKE-OFF

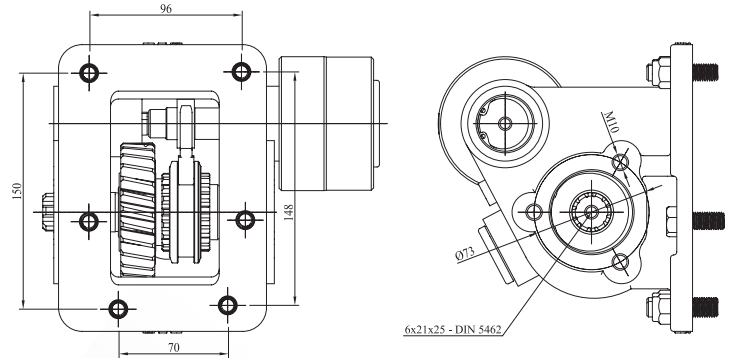
PTO MTS 01



PRODUCT TYPE	PRODUCT CODE	TORK	POWER	RATIO	ROTATION	MOUNTING TYPE	CONTROL TYPE	TOOLS USED İN	WEIGHT
PTO MTS 01	24581001	24,2 kgm	8,7 kw	1/1	RIGHT	LEFT SIDE	VACUUM	FE649-659-FE859E MITSUBISHI(722)/FE150C1-150E1-FE150E2 CANTER2.0T/WIDE CAB FG145C14x4 CANTER2.5-FE150W1 3.5T 150G1 4T-150G2 4.5T	7 kg

MITSUBISHI M1S5 VACUUM POWER TAKE-OFF

PTO MTS 02

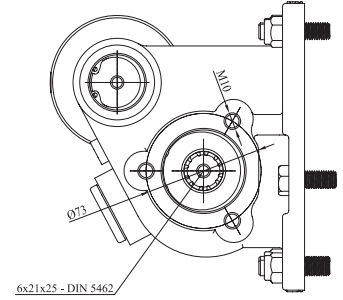
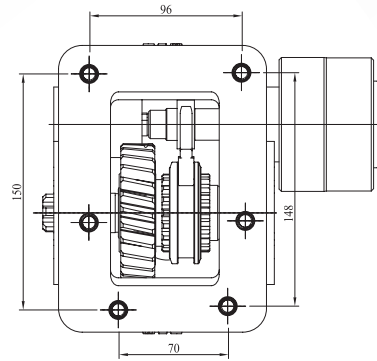


PRODUCT TYPE	PRODUCT CODE	TORK	POWER	RATIO	ROTATION	MOUNTING TYPE	CONTROL TYPE	TOOLS USED İN	WEIGHT
PTO MTS 02	24581002	18,2 kgm	7 kw	1/1	RIGHT	LEFT SIDE	VACUUM	444-449 CANTERMITSUBISHI(704)/H350/3F412/HD35-HD50-65-72-77 HYUNDAI	7 kg



MITSUBISHI MO15S5 VACUUM POWER TAKE-OFF

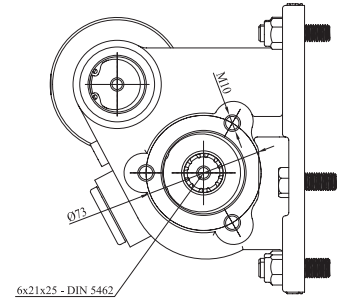
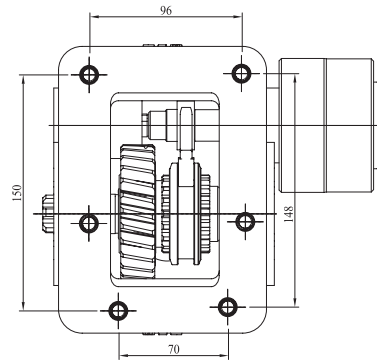
PTO MTS 03



PRODUCT TYPE	PRODUCT CODE	TORK	POWER	RATIO	ROTATION	MOUNTING TYPE	CONTROL TYPE	TOOLS USED IN	WEIGHT
PTO MTS 03	24581003	24 kgm	8,7 kw	1/1	RIGHT	LEFT SIDE	VACUUM	FE 511-711 MITSUBISHI	7 kg

MITSUBISHI MO25S5 VACUUM POWER TAKE-OFF

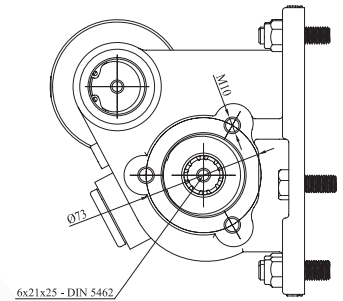
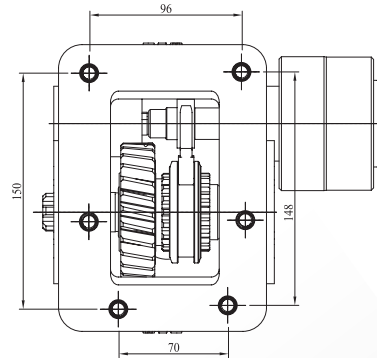
PTO MTS 04



PRODUCT TYPE	PRODUCT CODE	TORK	POWER	RATIO	ROTATION	MOUNTING TYPE	CONTROL TYPE	TOOLS USED IN	WEIGHT
PTO MTS 04	24581004	21,1 kgm	7,6 kw	1/1	RIGHT	LEFT SIDE	VACUUM	635FE-515FE-519FE-FE534-FE544-FB634-FE639C-839-859G - MITSUBISHI(739) FE130C1 CANTER2.0 SUPER LOW	7 kg

MITSUBISHI MO26S5 VACUUM POWER TAKE-OFF

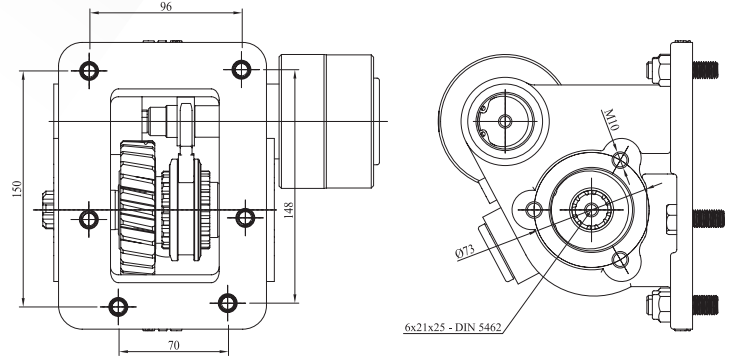
PTO MTS 05



PRODUCT TYPE	PRODUCT CODE	TORK	POWER	RATIO	ROTATION	MOUNTING TYPE	CONTROL TYPE	TOOLS USED IN	WEIGHT
PTO MTS 05	24581005	21 kgm	7,5 kw	1/1	RIGHT	LEFT SIDE	VACUUM	FE730-FE839EUR04 FE71BB/FE73BE/FE83BC	10 kg

MITSUBISHI MO36S6 VACUUM POWER TAKE-OFF

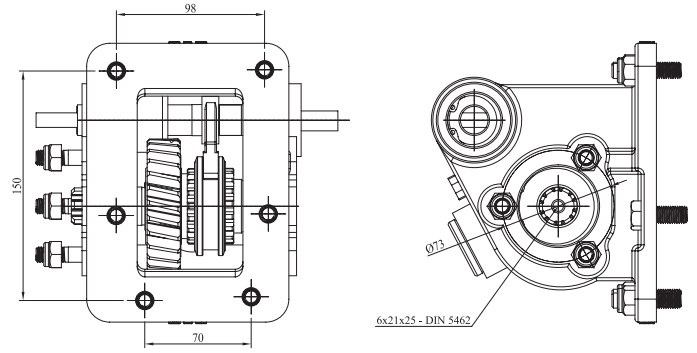
PTO MTS 06



PRODUCT TYPE	PRODUCT CODE	TORK	POWER	RATIO	ROTATION	MOUNTING TYPE	CONTROL TYPE	TOOLS USED İN	WEIGHT
PTO MTS 06	24581006	24 kgm	8,5 kw	1/1	RIGHT	LEFT SIDE	VACUUM	FE859G EURO4 FE85BE/FE85BG	10 kg

MITSUBISHI MO38S5 MK POWER TAKE-OFF

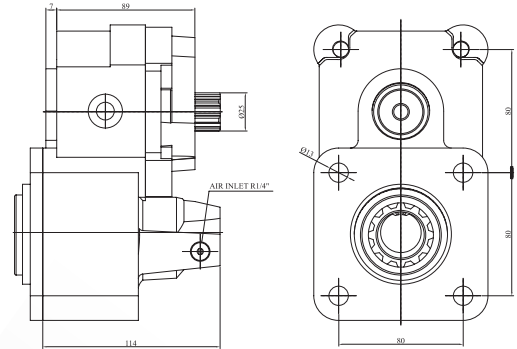
PTO MTS 07



PRODUCT TYPE	PRODUCT CODE	TORK	POWER	RATIO	ROTATION	MOUNTING TYPE	CONTROL TYPE	TOOLS USED İN	WEIGHT
PTO MTS 07	24581007	15 kgm	7,5 kw	1/1	RIGHT	LEFT SIDE	MECHANIC	MITSUBISHI	8,5 kg

ZF POWER TAKE-OFF

PTO ZF 01

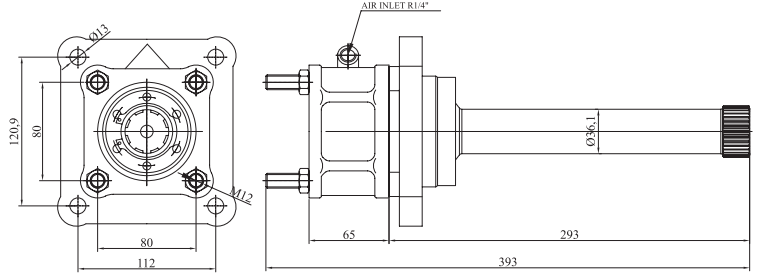
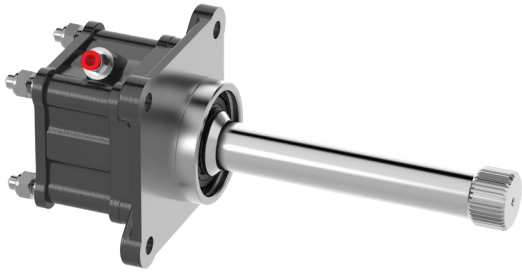


PRODUCT TYPE	PRODUCT CODE	TORK	POWER	RATIO	ROTATION	MOUNTING TYPE	CONTROL TYPE	TOOLS USED İN	WEIGHT
PTO ZF 01	24521001	26,5 kgm	18,3 kw	1/1,16	LEFT	REAR	PNEUMATIC	MAN / MERCEDES /BMC PROFESYONEL / FORD CARGO / CHRYSLER HINO / DODGE / FARGO / IVECO / DAF / DAEWOO / RENAULT	8,5 kg



RENAULT PREMIUM POWER TAKE-OFF

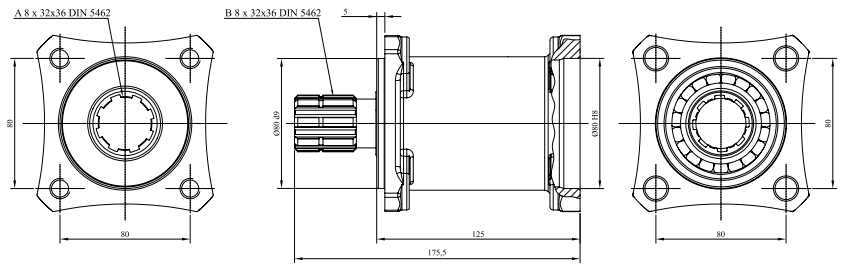
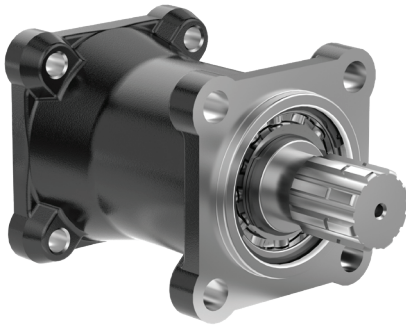
PTO REN 02



PRODUCT TYPE	PRODUCT CODE	TORK	POWER	RATIO	ROTATION	MOUNTING TYPE	CONTROL TYPE	TOOLS USED IN	WEIGHT
PTO REN 02	24591004	57 kgm	25,7 kw	1/1	RIGHT	REAR	PNEUMATIC	RENAULT PREMIUM OPTIDRIVER 430DXI-440DXI	8,2 kg

ISO PUMP ADAPTER

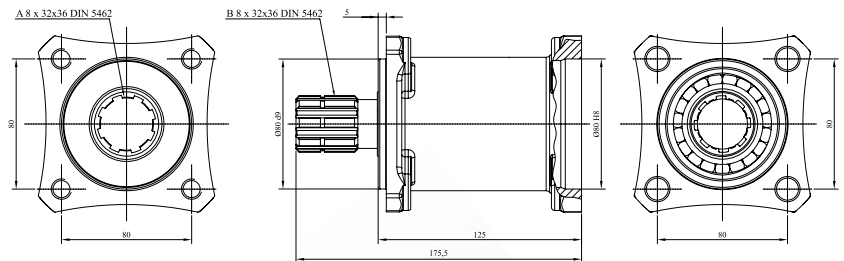
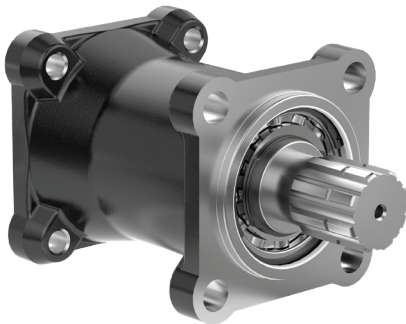
IPA 01 / IPA 02



PRODUCT TYPE	PRODUCT CODE	PRODUCT NAME
IPA 01	24481002	ISO Pump Adapter Without Bearing
IPA 02	24481005	ISO Pump Adapter With Bearing

ISO PUMP ADAPTER WITHOUT BEARING SHORT

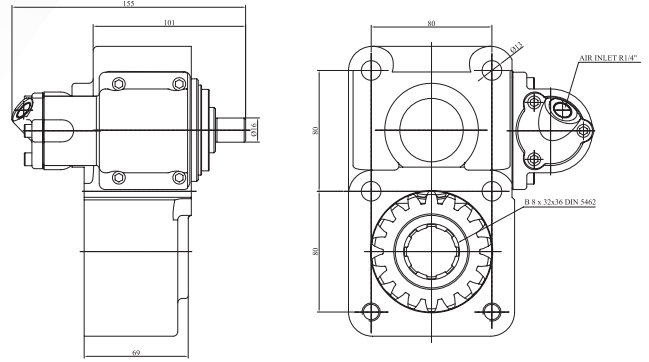
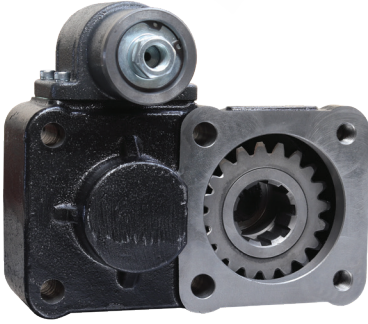
IPA 03



PRODUCT TYPE	PRODUCT CODE	PRODUCT NAME
IPA 03	24481006	ISO Pump Adapter With Bearing Short

ZF POWER TAKE-OFF

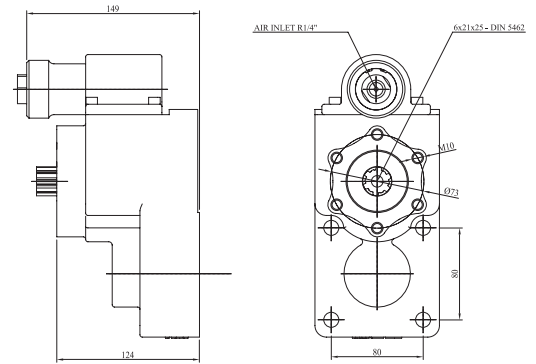
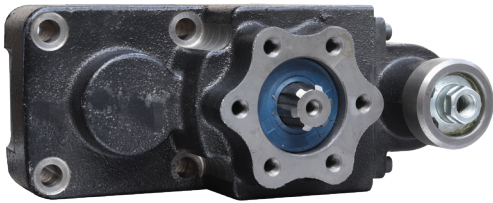
PTO ZF 02



PRODUCT TYPE	PRODUCT CODE	TORK	POWER	RATIO	ROTATION	MOUNTING TYPE	CONTROL TYPE	TOOLS USED IN	WEIGHT
PTO ZF 02	24521002	26,5 kgm	18,3 kw	1/1,2	LEFT	REAR	PNEUMATIC	MAN / MERCEDES /BMC PROFESYONEL / FORD CARGO / CHRYSLER HINO / DODGE / FARGO / IVECO / DAF / DAEWOO / RENAULT	9 kg

ZF 6S 850 POWER TAKE-OFF

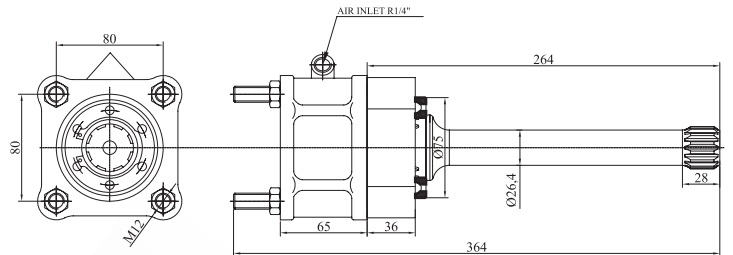
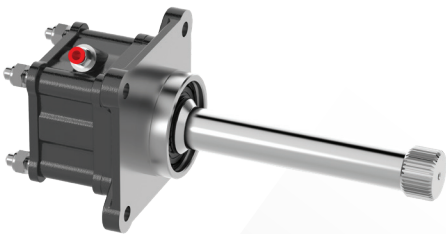
PTO ZF 05



PRODUCT TYPE	PRODUCT CODE	TORK	POWER	RATIO	ROTATION	MOUNTING TYPE	CONTROL TYPE	TOOLS USED IN	WEIGHT
PTO ZF 05	24521005	26,7 kgm	26,7 kw	1/1,2	LEFT	REAR	PNEUMATIC	8.163-10-185-L160C-LE12.160-12.163-12.185-LE18.220-18.225-18.230-18.240 MAN/518-522 PRO/DAEWOO AVIA (CEK CUM.)/180.18-180.25-280.25-280.26 FATİH BMC/LF55-CF65-CF75-DAF/ASHOK LEYLAND/815 ATEGO-28.280 MAN-TGL8.180-12.180	13 kg

MAN POWER TAKE-OFF

MN PTO 01

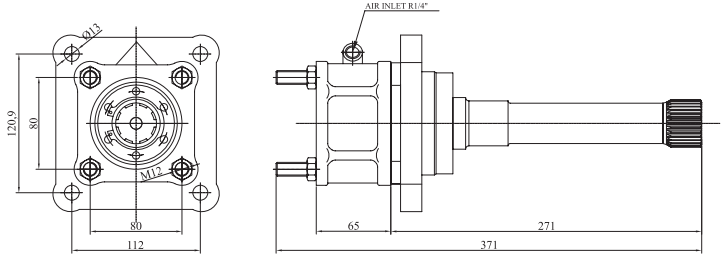
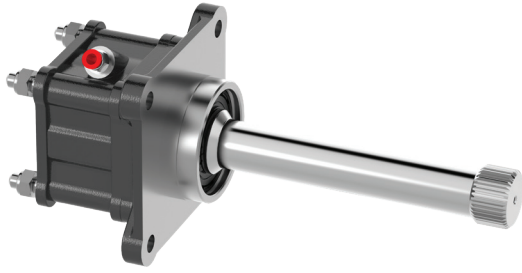


PRODUCT TYPE	PRODUCT CODE	TORK	POWER	RATIO	ROTATION	MOUNTING TYPE	CONTROL TYPE	TOOLS USED IN	WEIGHT
MN PTO 01	24271001	57 kgm	25,7 kw	1/1	RIGHT	REAR	PNEUMATIC	14.463-39.900 MAN TGA-TGA18.460A-19.430 MAN EUROPE 6x4-3300 DAF-85.330 DAF-RENAULT PREMIUM 440 DXI-IVECO 480 STRALIS	6 kg



VOLVO SR 1700 SHORT CARDAN SHAFT POWER TAKE-OFF

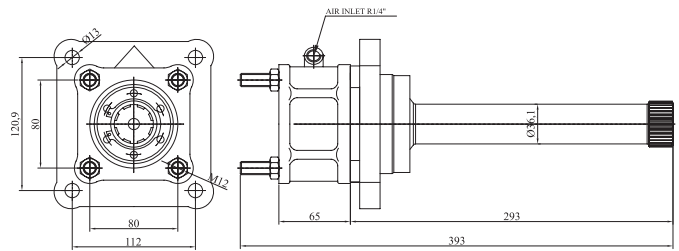
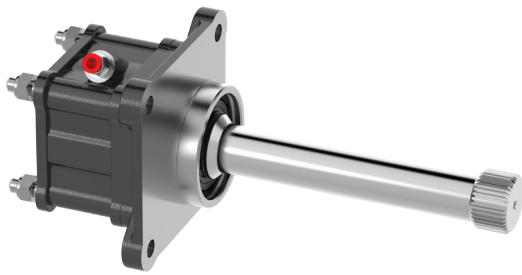
VLV PTO 01



PRODUCT TYPE	PRODUCT CODE	TORK	POWER	RATIO	ROTATION	MOUNTING TYPE	CONTROL TYPE	TOOLS USED IN	WEIGHT
VLV PTO 01	24261001	57 kgm	25,7 kw	1/1	RIGHT	REAR	PNEUMATIC	FL10320-NL12-FH16520-FH12420-FM12-FH12-FH16-FM-FM10-FM12 VOLVO-FL616-FL7-F10-FL10-F12-F16-N10-N12-NL12	8 kg

VOLVO SR 1700 LONG CARDAN SHAFT POWER TAKE-OFF

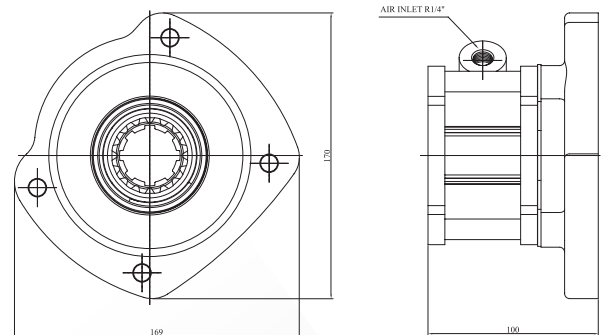
VLV PTO 02



PRODUCT TYPE	PRODUCT CODE	TORK	POWER	RATIO	ROTATION	MOUNTING TYPE	CONTROL TYPE	TOOLS USED IN	WEIGHT
VLV PTO 02	24261002	57 kgm	25,7 kw	1/1	RIGHT	REAR	PNEUMATIC	FL10320-NL12-FH16520-FH12420-FM12-FH12-FH16-FM-FM10-FM12 VOLVO-FL616-FL7-F10-FL10-F12-F16-N10-N12-NL12	8,2 kg

VOLVO POWER TAKE-OFF

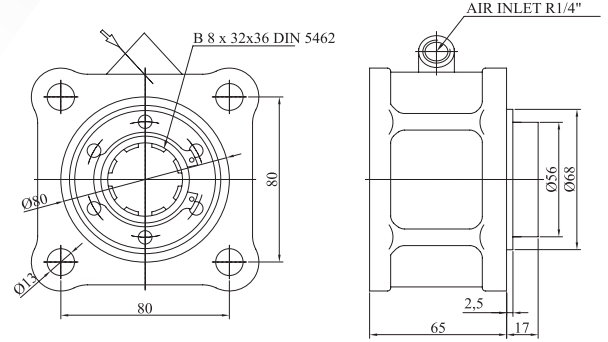
VLV PTO 03



PRODUCT TYPE	PRODUCT CODE	TORK	POWER	RATIO	ROTATION	MOUNTING TYPE	CONTROL TYPE	TOOLS USED IN	WEIGHT
VLV PTO 03	24261003	57 kgm	25,7 kw	1/1	RIGHT	REAR	PNEUMATIC	F 7-F / 12-88-F89-F 1020-F 1225-N 10-N 12 VOLVO	4,5 kg

ZF POWER TAKE-OFF

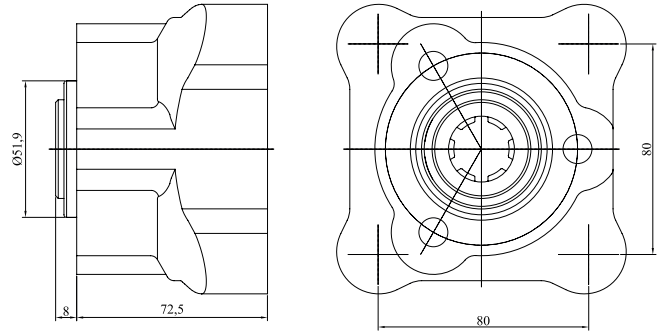
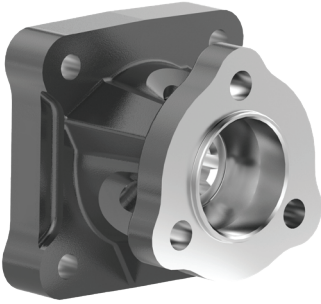
ZF PTO 01



PRODUCT TYPE	PRODUCT CODE	TORK	POWER	RATIO	ROTATION	MOUNTING TYPE	CONTROL TYPE	TOOLS USED IN	WEIGHT
ZF PTO 01	24251001	57 kgm	25,7 kw	1/1	RIGHT	REAR	PNEUMATIC	MAN / MERCEDES /BMC PROFESYONEL / FORD CARGO /CHRYSLER HINO / DODGE / FARGO / IVECO / DAF / DAEWOO / RENAULT	2,5 kg

PISTON PUMP ADAPTER

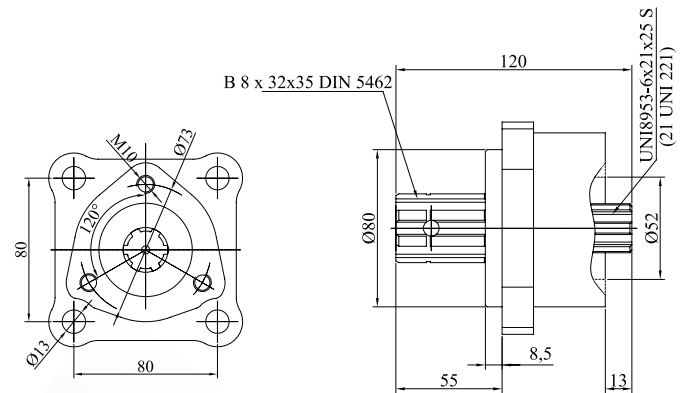
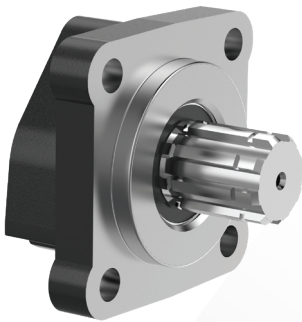
PPA 01



PRODUCT TYPE	PRODUCT CODE	PRODUCT NAME
PPA 01	24481003	Piston Pump Adapter

GEAR PUMP ADAPTER

DPA 01

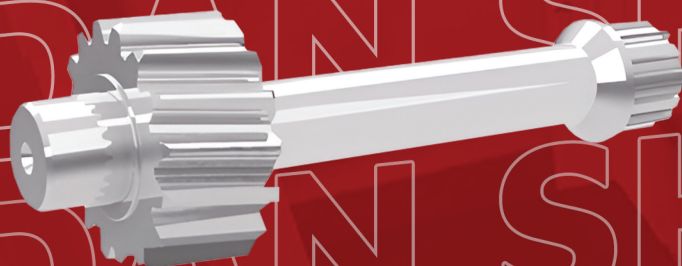


PRODUCT TYPE	PRODUCT CODE	PRODUCT NAME
DPA 01	24481001	Gear Pump Adapter



CARDAN SHAFT

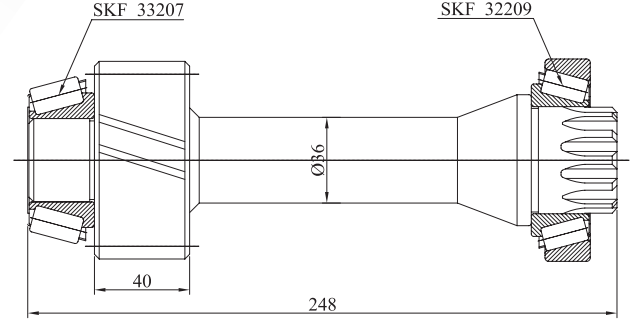
Section



Hydraulic

CARDAN SHAFT ZF 9 S 75

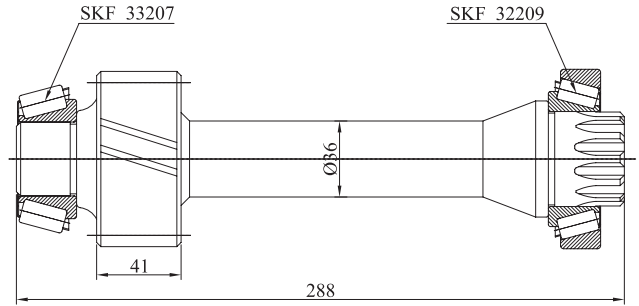
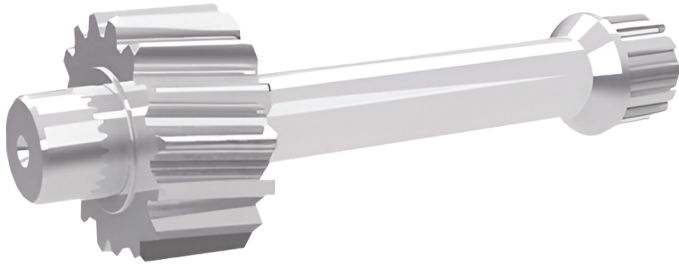
CS 01



PRODUCT TYPE	PRODUCT CODE	TOOLS USED İN
CS 01	24301001	MERCEDES (2521, 2524, 3224) BMC PRO (617, 620, 622, 822) FORD CARGO (1824, 2524, 2524D) FARGO (19-260, 26-260, 26-265, 32-260) DAF (823, 923)

CARDAN SHAFT ZF 9 S 109

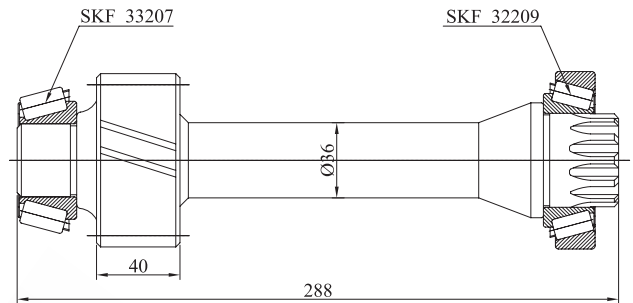
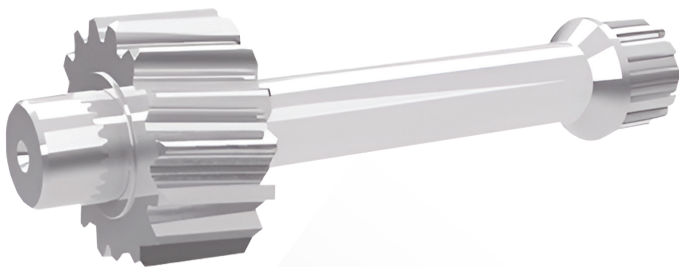
CS 02



PRODUCT TYPE	PRODUCT CODE	TOOLS USED İN
CS 02	24301002	MAN (17 232, 18 220, 19 230, 19 270, 19 340, 19 360, 25 270, 26 230, 26 342, 26 270, 32 270) BMC (PRO 827, PRO 832, 270, 280, S18, S21, S24, S29, S31, STEYR 270) FATİH (270 26) FORD CARGO 1827, 2527, 2530, 2626, 3226, 3227C, 3240, 4030, 4050 DAF (75 270, 75 30) RENAULT (320 32, 370 PREMIUM AS)

CARDAN SHAFT ZF 16 S 109

CS 03

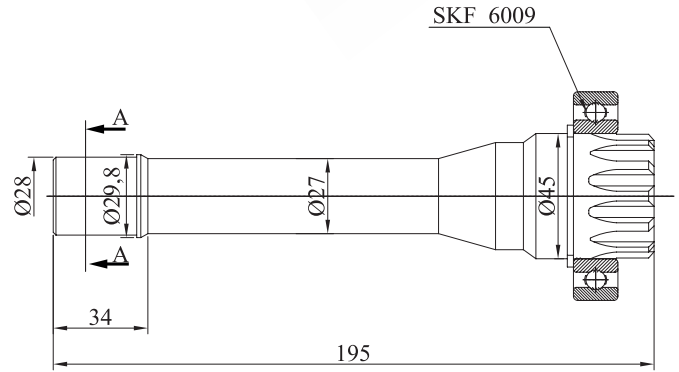


PRODUCT TYPE	PRODUCT CODE	TOOLS USED İN
CS 03	24301003	MAN 17 232, 18 220, 19 230, 19 270, 19 340, 19 360, 25 270, 26 230, 26 342, 26 270, 32 270 BMC PRO 827, PRO 832, 270, 280, S18, S21, S24, S29, S31, STEYR 270 FATİH 270 26 FORD CARGO 1827, 2527, 2530, 2626, 3226, 3227C, 3240, 4030, 4050 DAF 75 270, 75 30 RENAULT 320 32, 370 PREMIUM AS



CARDAN SHAFT ZF 16 S 130

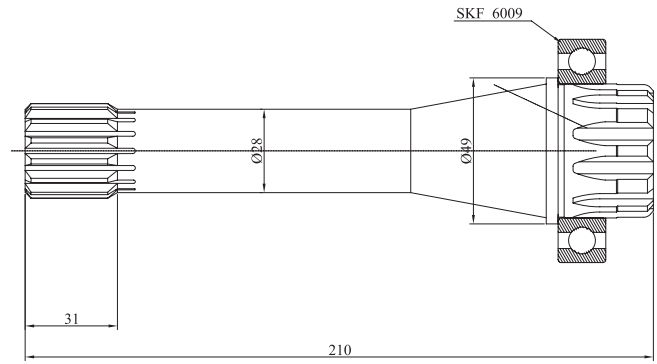
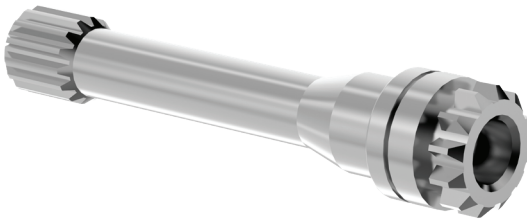
CS 04



PRODUCT TYPE	PRODUCT CODE	TOOLS USED IN
CS 04	24301004	MERCEDES1935, 2228, 2433, 2624, 2628, 2633, 3828, 4028 MAN16 281, 19 280, 19 422, 25 372, 26 281, 26 231, 32 281, 32 365, 33 281, 19 422

CARDAN SHAFT ZF 16 S 210 - 151 MM

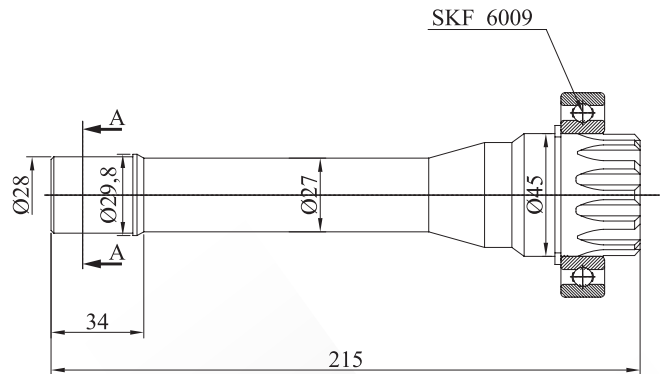
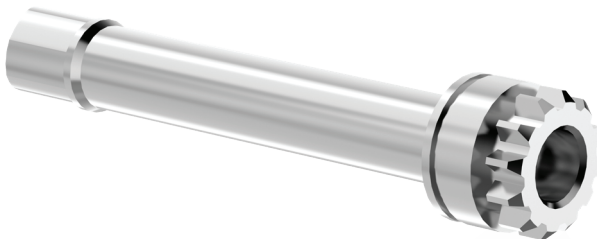
CS 05



PRODUCT TYPE	PRODUCT CODE	TOOLS USED IN
CS 05	24301005	17.322,19.422,423,426/26310,372,373,422/32.310,33.372,33.423,40.423,40.463,41.423 MAN/STRALIS 430/FE 420A/FE19.420/14.463 MAN/75.310,85.360,85.330,85.400,95.500 DAF/RENAULT PREMIUM 370.32,400,420,440,480 RENAULT KERAX/85CF.340,95XF.380,95XF.430,95XF.480 DAF/400E38 IVECO/ASTRA 1142 BMC/410E37 IVECO

CARDAN SHAFT ZF. 16 S 160

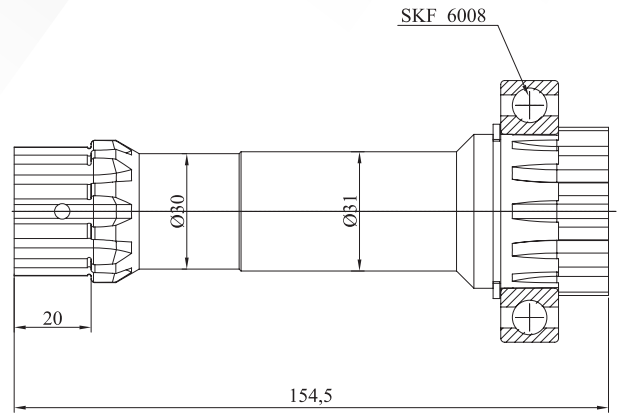
CS 06



PRODUCT TYPE	PRODUCT CODE	TOOLS USED IN
CS 06	24301006	MERCEDES1935, 2228, 2433, 2624, 2628, 2633, 3828, 4028 MAN16 281, 19 280, 19 422, 25 372, 26 281, 26 231, 32 281, 32 365, 33 281, 19 422

CARDAN SHAFT EATON 6109

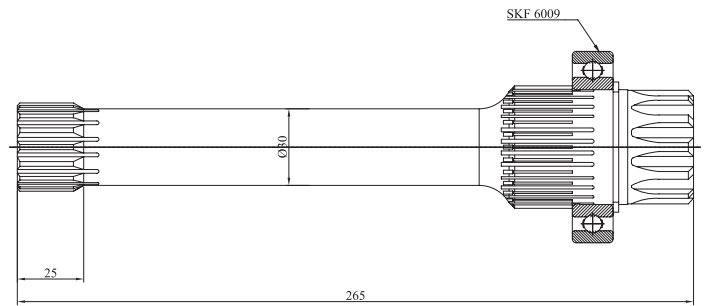
CS 07



PRODUCT TYPE	PRODUCT CODE	TOOLS USED IN
CS 07	24301007	BMC 214 26, 220 26 FORD CARGO26 21

ACTROS CARDAN SHAFT- 265 MM

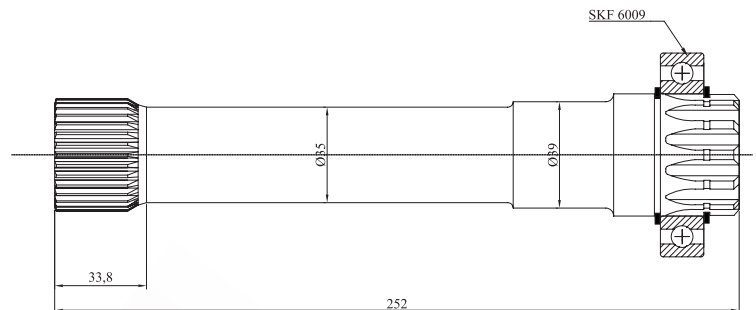
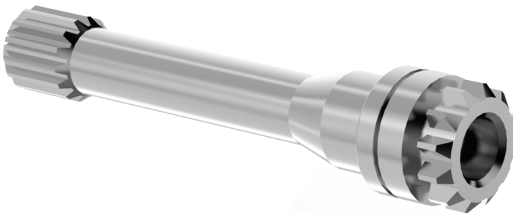
CS 08



PRODUCT TYPE	PRODUCT CODE	TOOLS USED IN
CS 08	24301008	1528-1823-1828-1924-2523-2528-2623-2628-2832-3224-3228-AXOR 1223-1323-1328-1523-1828-2528-2628 ATEGO

VOLVO CARDAN SHAFT- 252 MM

CS 09

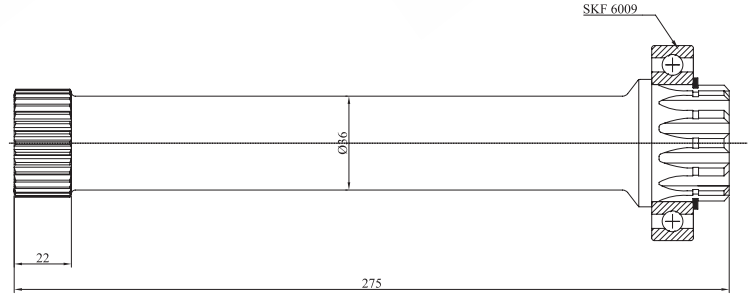
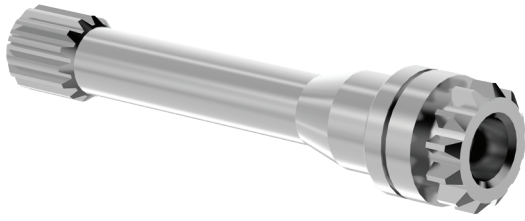


PRODUCT TYPE	PRODUCT CODE	TOOLS USED IN
CS 09	24301009	FL10320-NL12-FH16520-FH12420-FM12-FH12-FH16-FM-FM10-FM12 VOLVO-FL616-FL7-F10-FL10-F12-F16-N10-N12-NL12



VOLVO CARDAN SHAFT- 275 MM

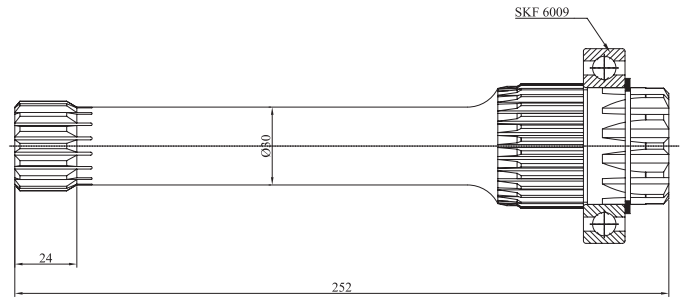
CS 10



PRODUCT TYPE	PRODUCT CODE	TOOLS USED IN
CS 10	24301010	FL10320-NL12-FH16520-FH12420-FM12-FH12-FH16-FM-FM10-FM12 VOLVO-FL616-FL7-F10-FL10-F12-F16-N10-N12-NL12

ACTROS CARDAN SHAFT- 252 MM

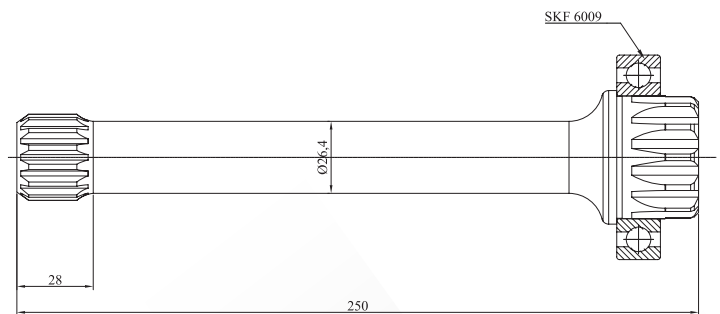
CS 11



PRODUCT TYPE	PRODUCT CODE	TOOLS USED IN
CS 11	24301011	1729-1735-1827-1834-1838-1929-1935-2038-2429-2435-2527-2531-2534-2629-2631-2635-2638-3229-3234-3534-3535-1831-1835-1840-1844-1848-1850-1857-1934-1938-1953-2044-2050-2544-2550-2643-2644-2650-3031-3234-3331-3348-4148-3335-3336-3235-3340-2031-2040-2648-3548-3553-3557-3538-ACTROS MERCEDES

MAN CARDAN SHAFT 250- MM

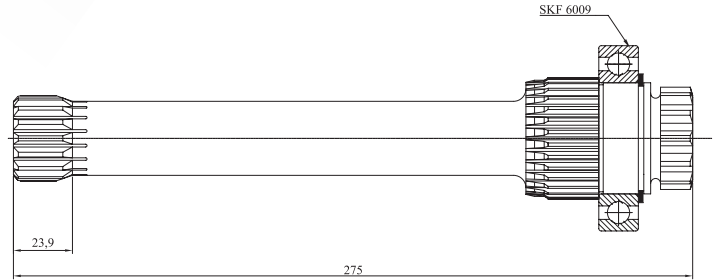
CS 12



PRODUCT TYPE	PRODUCT CODE	TOOLS USED IN
CS 12	24301012	14,463-39.900 MAN TGA-TGA18.460A-19.430 MAN EUROPE 6x4-3300 DAF-85.330 DAF-RENAULT PREMIUM 440 DXI-IVECO 480 STRALIS

ACTROS CARDAN SHAFT- 275 MM

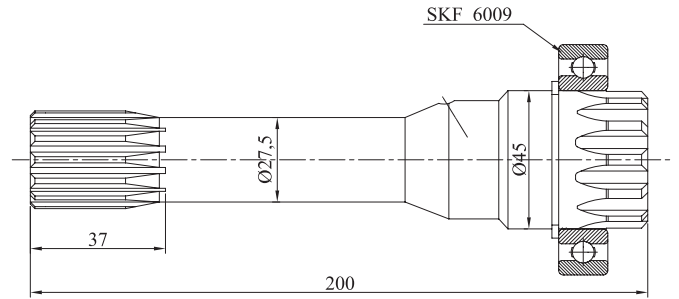
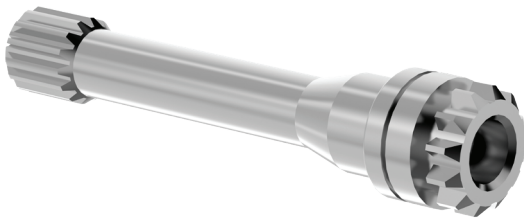
CS13



PRODUCT TYPE	PRODUCT CODE	TOOLS USED IN
CS 13	24301013	1729-1735-1827-1834-1838-1929-1935-2038-2429-2435-2527-2531-2534-2629-2631-2635-2638-3229-3234-3534-3535-1831-1835-1840-1844-1848-1850-1857-1934-1938-1953-2044-2050-2544-2550-2643-2644-2650-3031-3234-3331-3348-4148-3335-3336-3235-3340-2031-2040-2648-3548-3553-3557-3538-ACTROS MERCEDES

CARDAN SHAFT ZF 16 S 200 - 251 MM

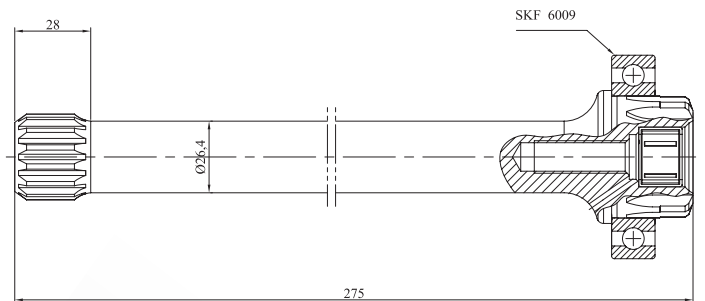
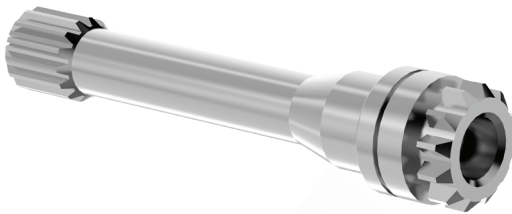
CS 14



PRODUCT TYPE	PRODUCT CODE	TOOLS USED IN
CS 14	24301014	17.322,19.422,423,426/26310,372,373,422/32.310,33.372,33.423,40.423,40.463,41.423 MAN/STRALIS 430/FE 420A/FE19.420/14.463 MAN/75.310,85.360,85.330,85.400,95.500 DAF/RENAULT PREMIUM 370.32,400,420,440,480 RENAULT KERAX/85CF.340,95XF.380,95XF.430,95XF.480 DAF/400E38 IVECO/ASTRA 1142 BMC/410E37 IVECO

MAN CARDAN SHAFT- 275 MM

CS 15



PRODUCT TYPE	PRODUCT CODE	TOOLS USED IN
CS 15	24301015	ZF ASTRONIC 16AS251/16S251+PLATE 12 AS 1631 /12AS1931 /12AS2131/12AS2141/12AS2300 IT/12AS2301 IT/ 12AS2331 /12AS2341/12AS2501 IT/12AS2531/12AS2541/12AS2741 /12AS2941/12AS3001 IT/12AS3002 IT/12AS3141/16AS2231/ 16AS2600 IT/16AS2601 IT/16AS2631 IT(INTARDER)



HYDRAULIC OIL TANKS

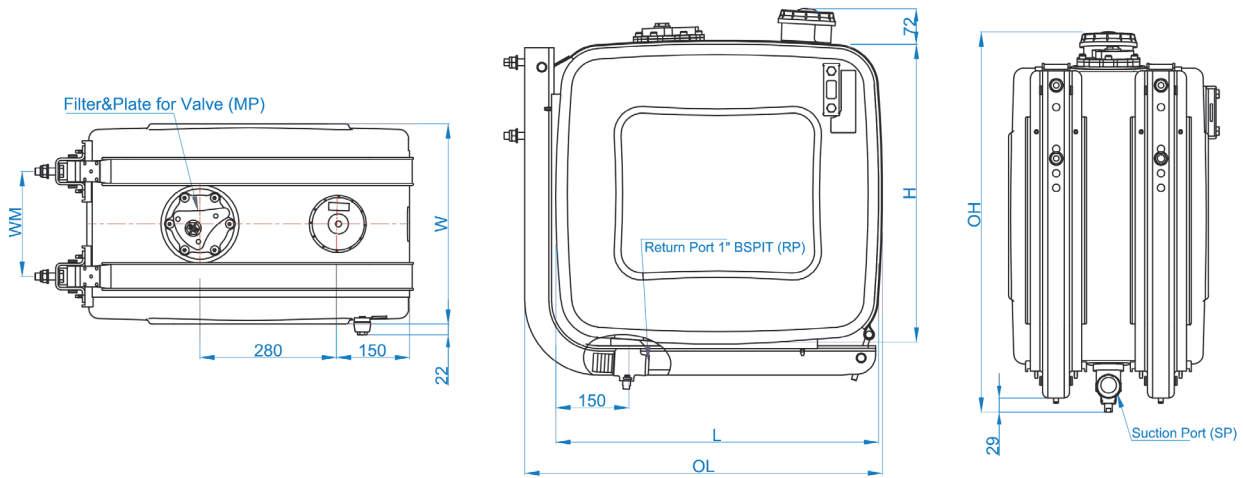
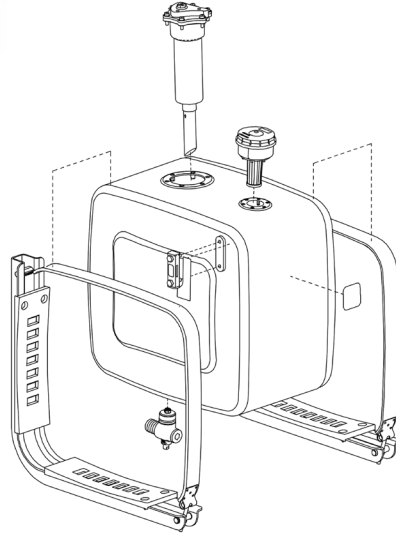
Section



Hydraulic

SIDE MOUNTED OIL TANKS

TNK 01

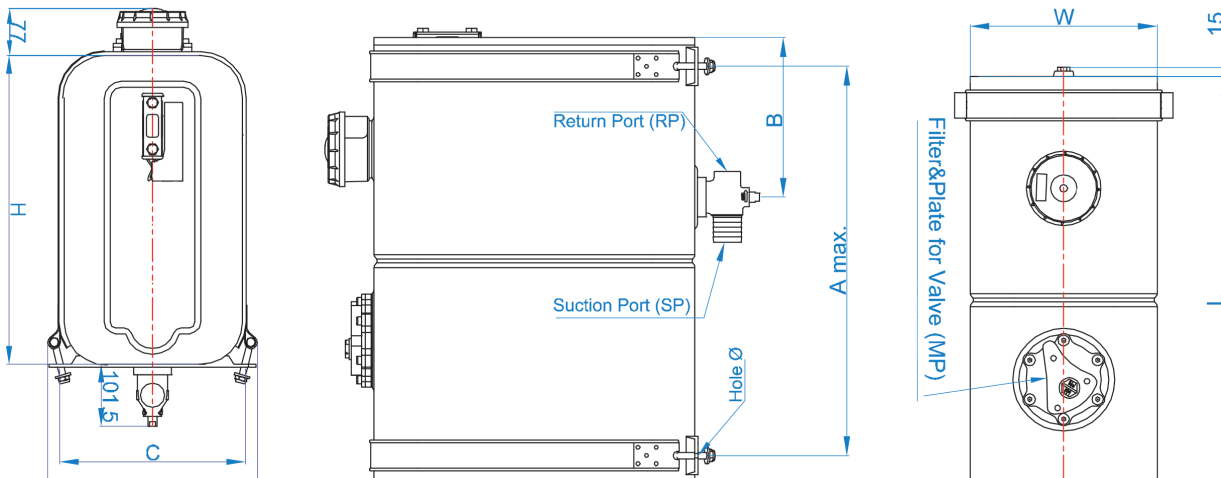
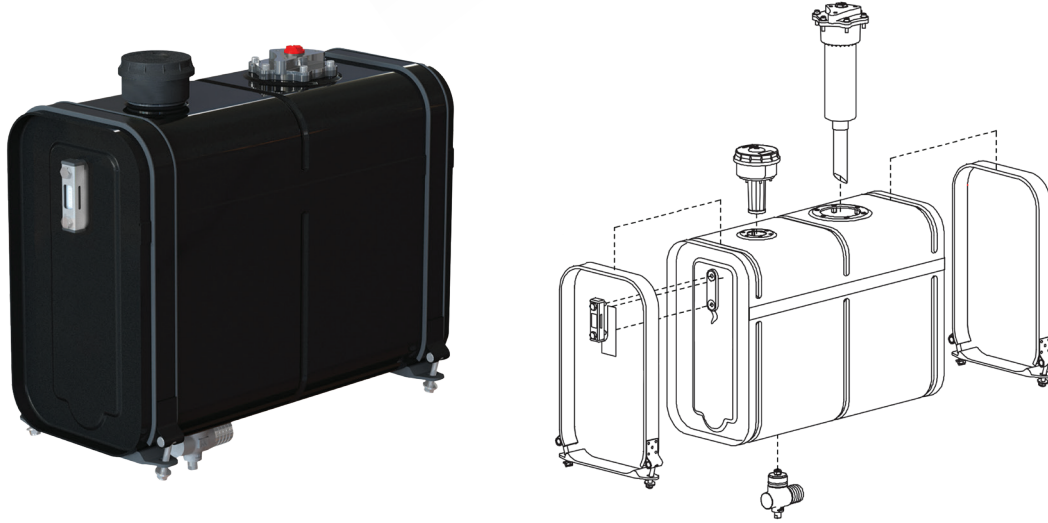


PRODUCT CODE	W (mm)	H (mm)	L (mm)	OL (mm)	OH (mm)	WM Min Max (mm)	GROSS VOLUME (lt)	WORKING VOLUME (lt)	WEIGHT (kg)
4823335108	380	554	646	717	717	205 - 230	124	108	50,5
4823335117	410	554	646	717	717	205 - 235	134	117	51,5
4823335131	410	610	662	734	778	215 - 240	148	131	56
4823335148	465	610	662	734	778	235 - 270	169	148	58
4823335163	510	610	662	734	778	255 - 315	186	164	60
4823335182	560	610	662	734	778	280 - 365	206	182	61,5
4823335197	610	610	662	734	778	305 - 415	224	197	63
4823335049	330	400	502	570	569	195 - 225	61	49	38,5
4823335060	400	400	502	570	569	20 - 230	74	60	40,5
4823335075	500	400	502	570	569	245 - 305	93	75	43



CRADLE MOUNTED OIL TANKS

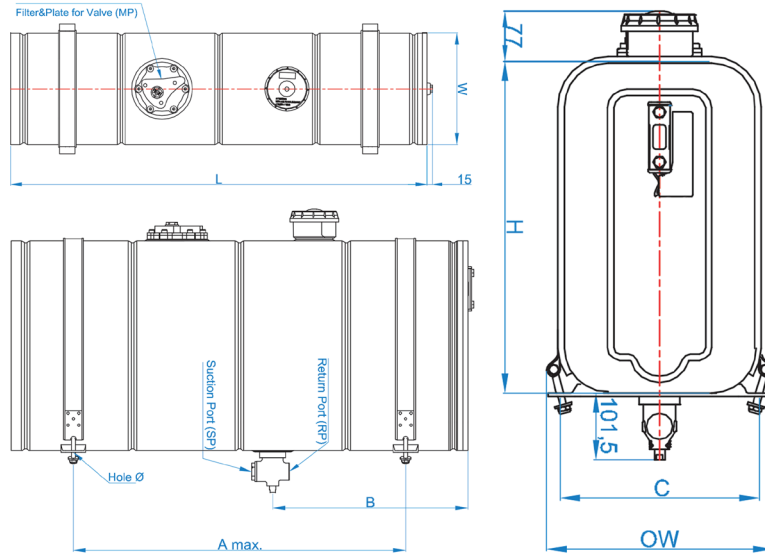
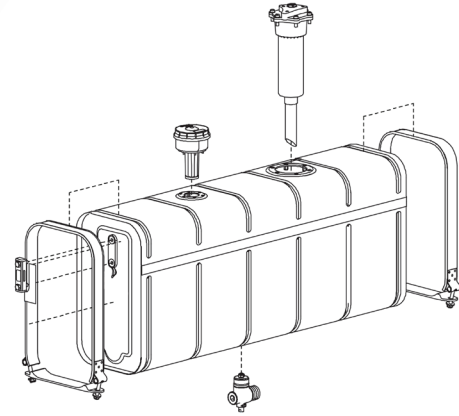
TNK O2



PRODUCT CODE	W (mm)	H (mm)	L (mm)	A max (mm)	B (mm)	C (mm)	OW (mm)	HOLE Ø (mm)	GROSS VOLUME (lt)	WORKING VOLUME (lt)	WEIGHT (kg)
483335035	251	511	400	340	200	270	300	11	42	34	21
483335045	251	511	500	410	250	270	300	11	50	44	22,8
483335055	251	511	600	510	200	270	300	11	66	54	25
483335064	251	511	700	610	250	270	300	11	78	64	27,4
483335052	294	504	500	410	250	303	343	12	63	51	24,2
483335063	294	504	600	510	200	303	343	12	77	63	26,4
483335075	294	504	700	610	250	303	343	12	92	74	29
483335080	294	504	750	660	250	303	343	12	99	80	30,2
483335090	264	654	700	610	350	270	312	11	106	90	33,3
483335097	264	654	750	660	375	270	312	11	114	97	34,2
483335093	294	694	600	510	300	303	348	13	108	93	36,5
483335114	294	694	700	610	350	303	348	13	128	110	39,3

REAR MOUNTED OIL TANKS

TNK 03

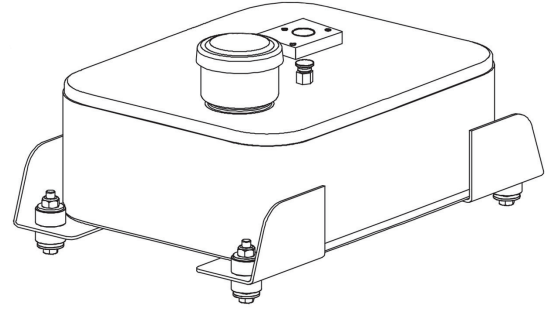


PRODUCT CODE	W (mm)	H (mm)	L (mm)	A max (mm)	B (mm)	C (mm)	OW (mm)	HOLE Ø (mm)	GROSS VOLUME (lt)	WORKING VOLUME (lt)	WEIGHT (kg)
483335094	251	511	1000	800	500	270	300	11	114	93	34
483335114	251	511	1200	800	440	270	300	11	139	113	38,6
483335123	251	511	1300	800	400	270	300	11	150	123	40,8
483335109	294	504	1000	800	500	303	343	12	134	108	36
483335124	294	504	1100	800	470	303	343	12	147	120	38,4
483335131	294	504	1200	800	600	303	343	12	162	131	40,8
483335149	294	504	1300	800	650	303	343	12	176	148	43,1
483335118	264	654	900	800	350	270	312	11	138	118	38,3
483335132	264	654	1000	800	375	270	312	11	154	132	41
483335160	264	654	1200	800	410	270	312	11	187	160	46,5
483335144	294	694	900	800	350	303	348	13	167	144	43,9
483335161	294	694	1000	800	375	303	348	13	186	161	51,1
483335195	294	694	1200	800	410	303	348	13	226	195	57,1
483335212	294	694	1300	800	650	303	348	13	245	212	60



OVER CHASE OIL TANKS

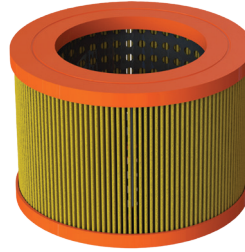
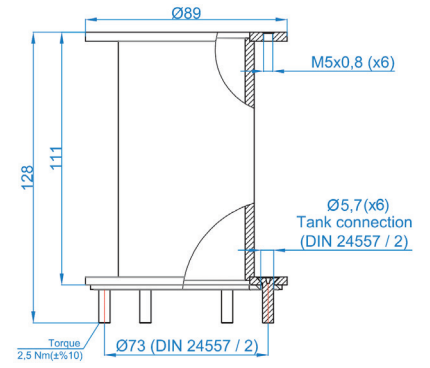
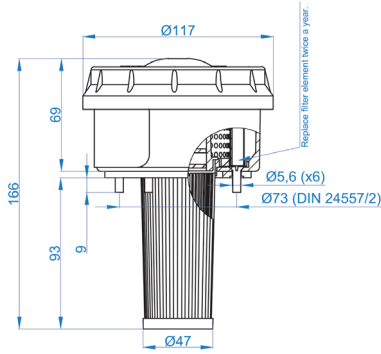
TNK 04



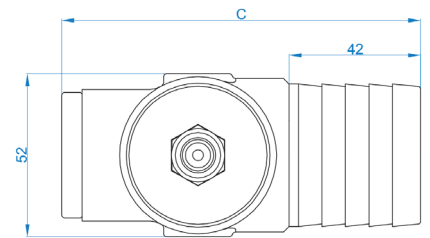
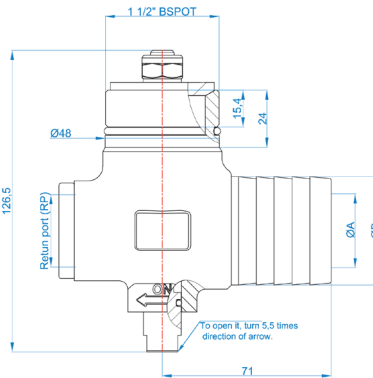
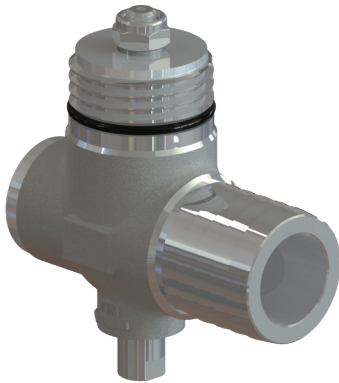
PRODUCT CODE	W (mm)	H (mm)	L (mm)	A max (mm)	B (mm)	C (mm)	OW (mm)	HOLE Ø (mm)	GROSS VOLUME (lt)	WORKING VOLUME (lt)	WEIGHT (kg)
4833335094	251	511	1000	800	500	270	300	11	114	93	34
4833335114	251	511	1200	800	440	270	300	11	139	113	38,6
4833335123	251	511	1300	800	400	270	300	11	150	123	40,8
4833335109	294	504	1000	800	500	303	343	12	134	108	36
4833335124	294	504	1100	800	470	303	343	12	147	120	38,4
4833335131	294	504	1200	800	600	303	343	12	162	131	40,8
4833335149	294	504	1300	800	650	303	343	12	176	148	43,1
4833335118	264	654	900	800	350	270	312	11	138	118	38,3
4833335132	264	654	1000	800	375	270	312	11	154	132	41
4833335160	264	654	1200	800	410	270	312	11	187	160	46,5
4833335144	294	694	900	800	350	303	348	13	167	144	43,9
4833335161	294	694	1000	800	375	303	348	13	186	161	51,1
4833335195	294	694	1200	800	410	303	348	13	226	195	57,1
4833335212	294	694	1300	800	650	303	348	13	245	212	60

OIL TANKS UTILITIES

TNK 05



PRODUCT CODE	PRODUCT NAME	FILTRATION DEGREE	AIR FLOW RATE	OIL FILLING CAPACITY	COMPATILITY	WORKING TEMP	SPLASH GUARD	WEIGHT (KG)
88510136	AIR BREATHER KIT	3 µm	1800 L/min.	Max.40 L/min.	Full Fluids	-25 / +110 °C	Available	0,29
88001188	FILTER ELEMENT	-	-	-	-	-	-	0,1
88001259	EXTENSION PIPE KIT	-	-	-	-	-	-	0,82

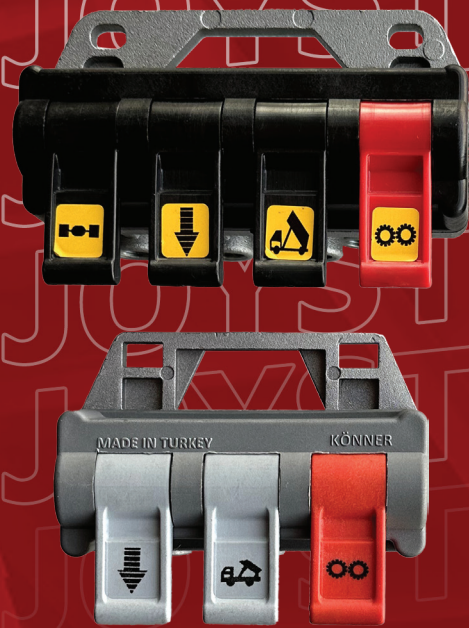


PRODUCT CODE	A (mm)	B (mm)	C (mm)	RP	COATING	WEIGHT (kg)
88001153	31	45	111	-	ZINC Cr+3	1,1
88001149	31	39	111	-	ZINC Cr+3	1
88001152	25	32	111	-	ZINC Cr+3	1
88001156	31	45	115	R 1"	ZINC Cr+3	1,2
88001155	31	39	115	R 1"	ZINC Cr+3	1,1
88001154	25	32	115	R 1"	ZINC Cr+3	1,1



HYDRAULIC JOYSTICK

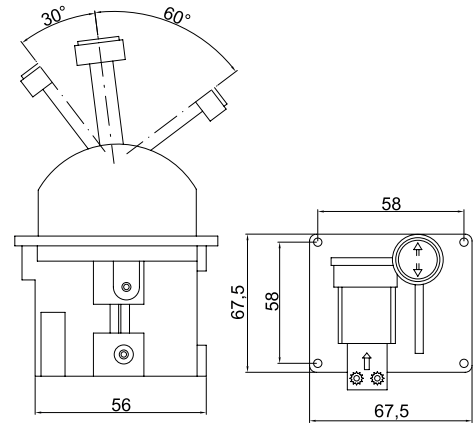
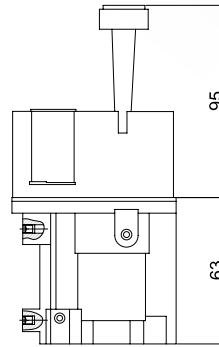
Section



Hydraulic

JOYSTICK

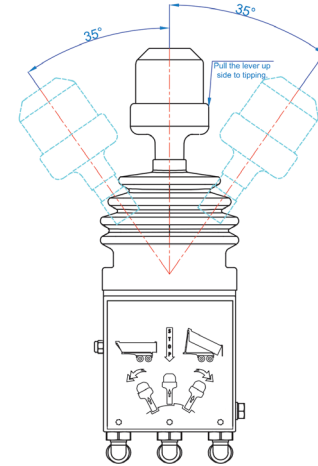
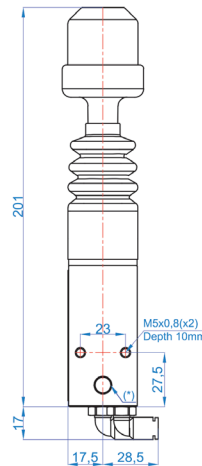
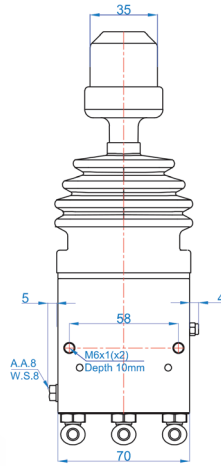
HDJ 01



PRODUCT TYPE	PRODUCT CODE	PRODUCT NAME
HDJ 01	23602004	3 WAY / 2 SECTION TIP JOYSTICK
HDJ 02	23602005	2 WAY / 2 SECTION TIP JOYSTICK
HDJ 03	23602006	3 WAY / 2 SECTION TIP JOYSTICK
HDJ 04	23602007	2 WAY / 2 SECTION FLAT TIP JOYSTICK
HDJ 05	23602008	3 WAY / 2 SECTION FLAT TIP JOYSTICK MANUEL

PROPORTIONAL AIR CONTROL JOYSTICK

HDJ 06

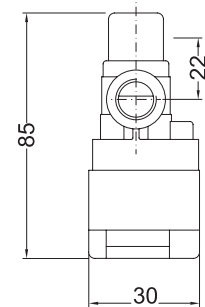
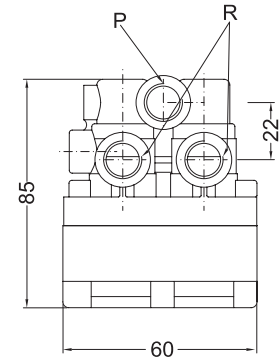
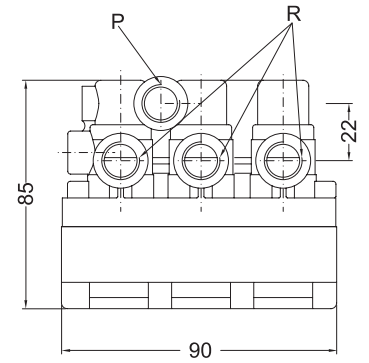
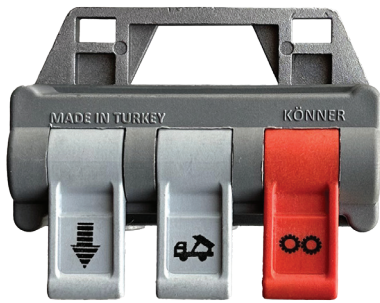
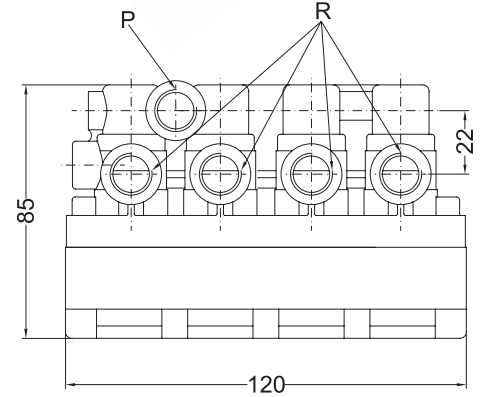
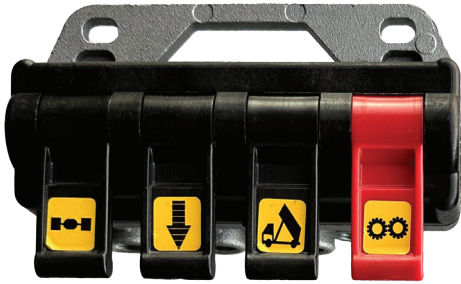


PRODUCT TYPE	PRODUCT CODE	MAX. AIR PRESSURE	MIN. AIR PRESSURE	WORKING TEMP.	CONNECTION	WEIGHT (KG)
HDJ 06	23602009	10 bar	5 bar	-20 / +80 °C	Air Pipe	0,8



4 , 3 , 2 & 1 WAY SWITCH

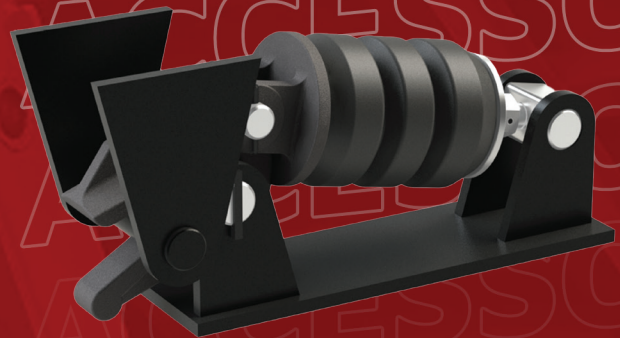
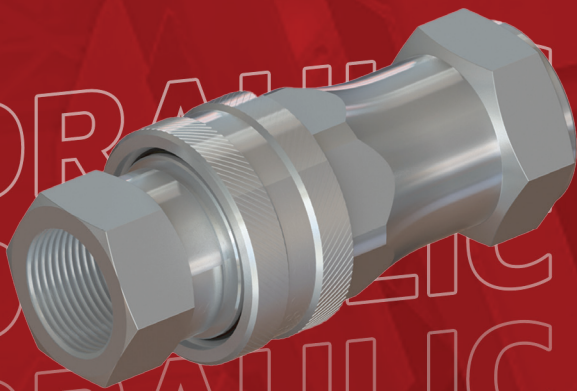
HDD 01 , 02 , 03 , 04



PRODUCT TYPE	PRODUCT CODE	PRODUCT NAME
HDD 01	23602001	4 WAY SWITCH
HDD 02	23602002	3 WAY SWITCH
HDD 03	23602003	2 WAY SWITCH
HDD 04	23602004	1 WAY SWITCH

HYDRAULIC ACCESSORY

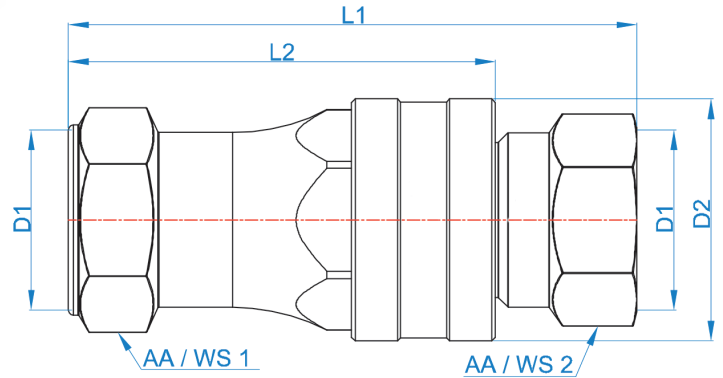
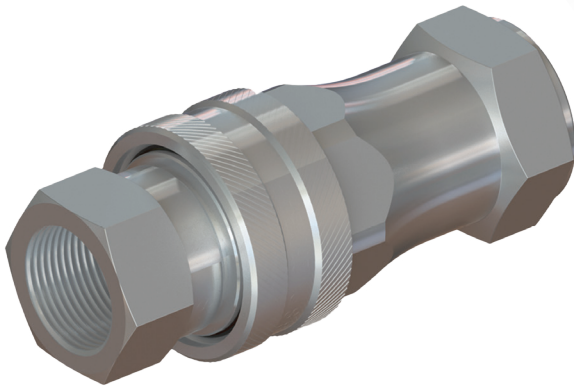
Section



Hydraulic

QUICK RELEASE COUPLINGS (PUSH-PULL)

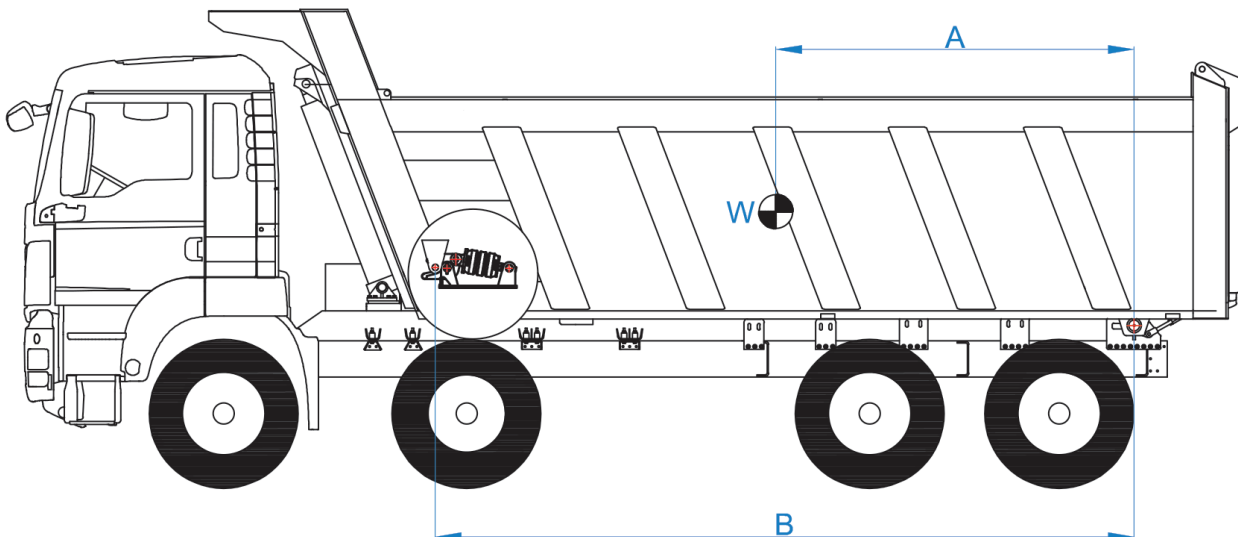
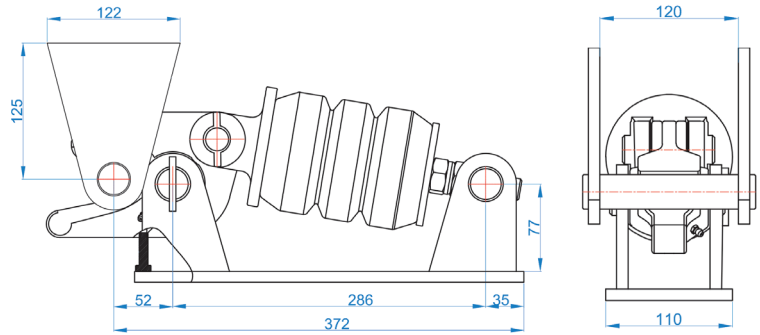
ACS 01



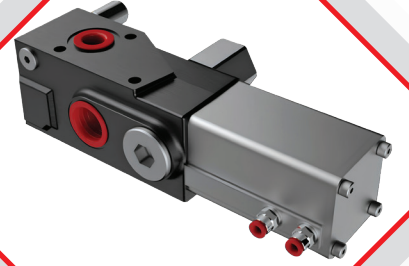
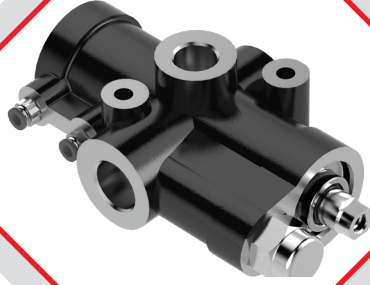
PRODUCT CODE	D1 (")	D2 (mm)	L1 (mm)	L2 (mm)	AA WS1 (mm)	AA WS2 (mm)	COMPATILITY	FLOW	WORKING PRESSURE	CONNECTION	WORKING TEMP.	COATING	WEIGHT (kg)
88002308	1"	56	133	100	46	41	ISO 7241-A	180 L/min	250 bar	Push - Pull	-30 / +80 °C	ZINC Cr+3	1,15
88002381	1"	56	133	100	46	41	ISO 7241-A	180 L/min	250 bar	Push - Pull	-30 / +80 °C	ZINC Cr+3	1,2
88002309	1 1/4"	70	150	117	55	50	ISO 7241-A	230 L/min	230 bar	Push - Pull	-30 / +80 °C	ZINC Cr+3	1,75

BODYFIX

ACS 02



The
Power
in your hands



PZD
Hydraulic



AUTOMOTIVE

PZD Hydraulic
It is a trademark of
KYZ AUTOMOTIVE COMPANY

Contact Information

+90 332 251 41 39

+90 541 481 01 44

www.kyzautomotive.com.tr

info@kyzautomotive.com.tr

Horozluhan Mah. Şadi Sk. No:3/101 - Selçuklu/KONYA/TÜRKİYE

